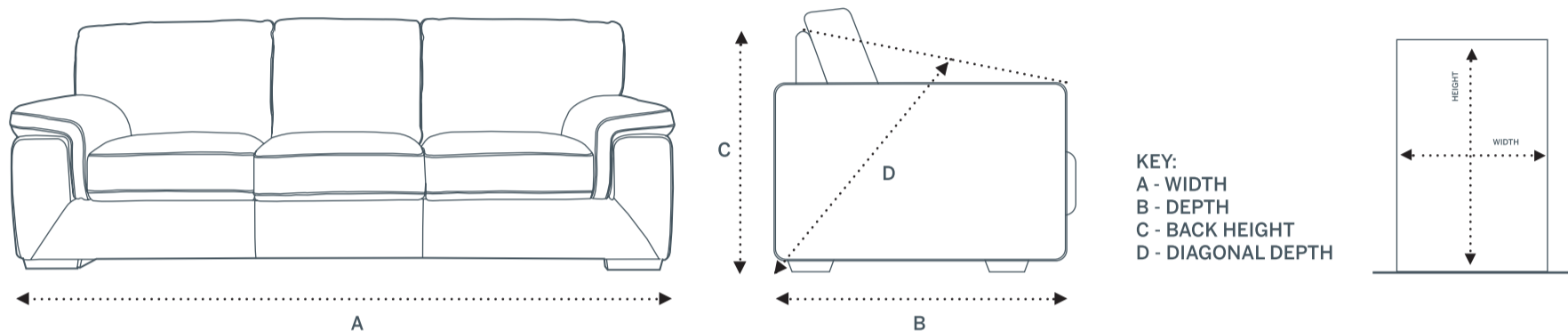


# how to measure up? freedom's guide for successful delivery.

Falling in love with a piece of furniture is easy, but sometimes fitting it through your door is another story. Our Guide for Successful Delivery printable instructions show you how to measure your space so you can be confident your new furniture will fit into your home before you place your order.

**Follow our step-by-step instructions to measure your home's doorways, hallways, stairways and even elevators.**



**For upholstered furniture, such as sofas and chairs, measure the overall width, depth, back and height and diagonal depth.**

Diagonal depth is helpful when determining if the piece can be brought in on its end. To determine the diagonal depth, measure the furniture from the top of the back to the front of the arm. Find the mid-point of that measurement and measure from the mid-point to the lower back leg. Once you've chosen and measured your furniture and determined that it will fit in your space, it is important that it can be delivered through all entryways, elevators and stairways.

**Follow these simple guidelines to help ensure an efficient delivery:**

- Measure the height and width of your entryways. Make sure that there is a clear and unobstructed path in front of and beyond each doorway. Make note of any fixtures, decorative moldings, interior walls, ceiling heights, stairwells and banisters that may pose an obstacle once inside.
- Review the measurements of the furniture to be delivered and determine if it can go straight through the entryways, or if it will have to go in at an angle or on its end.
- Pay special attention to the diagonal depth, which must be smaller than that width of the doorway. For any piece that does not have arms (such as a wedge) be certain that the back height measurement is less than the door width.

## **Some further considerations.**

### **Consider your entry options**

Think about which door offers the easiest access for delivery. Consider garage and patio doors that may offer more clearance. For multi-unit buildings, find out if you have access to a service entrance.

### **Elevators**

Measure the height and width of the elevator door and the interior height, width and depth. Also take the diagonal measurement from the bottom center of the door opening to the back ceiling. Be aware of handrails and overhead lights in the elevator and include them in your measurements.

### **Clearing the Path**

Consider removing these common obstacles before delivery or include them in your measurements if they cannot be removed: light fixtures, handrails, wall art or decorative items, fire extinguishers and sprinklers, and angled or low ceilings.

### **Stairways**

Start by measuring the width of your stairway. Include handrails in your measurements if they cannot be removed. Next, measure your stairway ceiling height in three locations: 1) from the bottom step to the ceiling 2) from any landings to the ceiling and 3) from the top step to the ceiling. Finally, measure the width and depth of any landings. If the top or bottom of your stairway leads into a wall instead of an open space, measure the distance from the stairs to the wall.

Please speak with one of our Furniture Consultants if you have any questions.