

# Umbria Sofa 3S Grey

23531239

freedom 

Thank you for purchasing the **Umbria Sofa 3S**. Before you begin to assemble your new piece of furniture, please check to ensure that all hardware and parts have been supplied. This page lists all contents included in the carton(s).

Follow instructions closely as deviation from them may present a possible safety risk and may void your warranty.

It is recommended that assembly is done on a soft surface such as carpet to avoid any damage.

If you experience any problems with your new purchase please phone Freedom Customer Service (FCS) on 1300 135 588.

---

## Care Information

**Frame:** Wash every 6 months in a mild solution of warm, soapy water using a soft brush.  
Rinse with clean water and dry thoroughly.

Use of harsh abrasives, chemical solvents or high pressure hoses will damage the material.

**Cushion:** Never store cushions while wet.

We recommend that all cushions are stored out of the direct sunlight or in a dry location to help prolong their life. Polyester cushions may require hand washes or the use of warm soapy water with a soft bristle brush for tougher stains. For detailed care information refer to care label attached to the product.

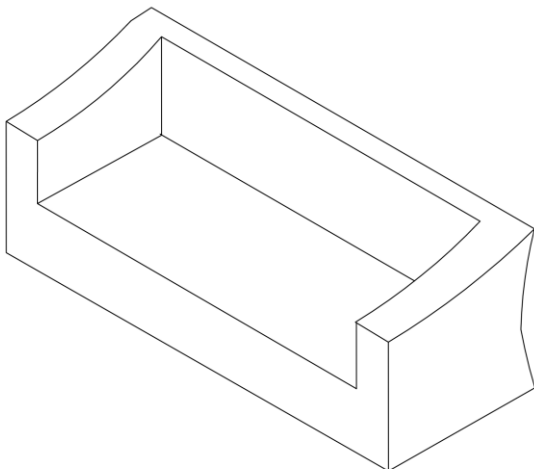
---

## Hardware (Supplied)

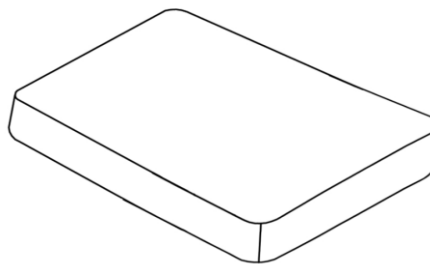
---

## Parts

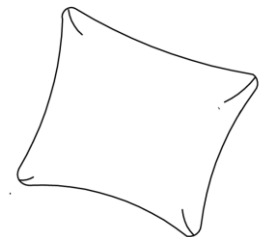
Part A x 1



Part B x 2



Part C x 3

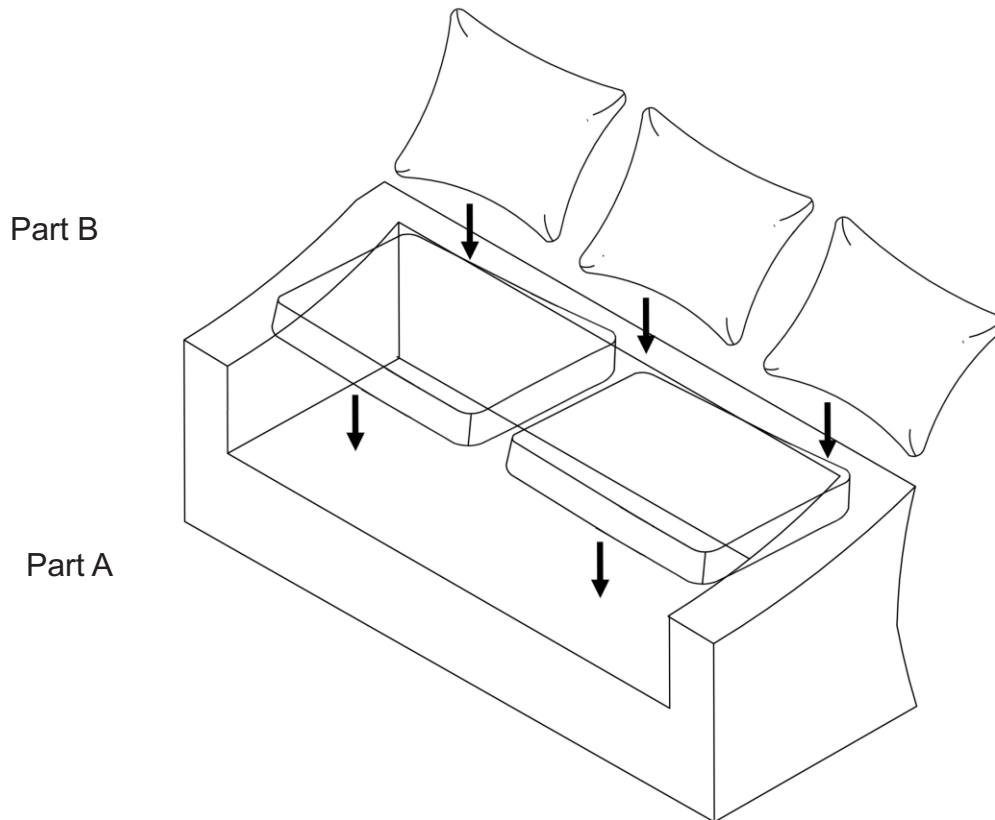


# Umbria Sofa 3S Grey

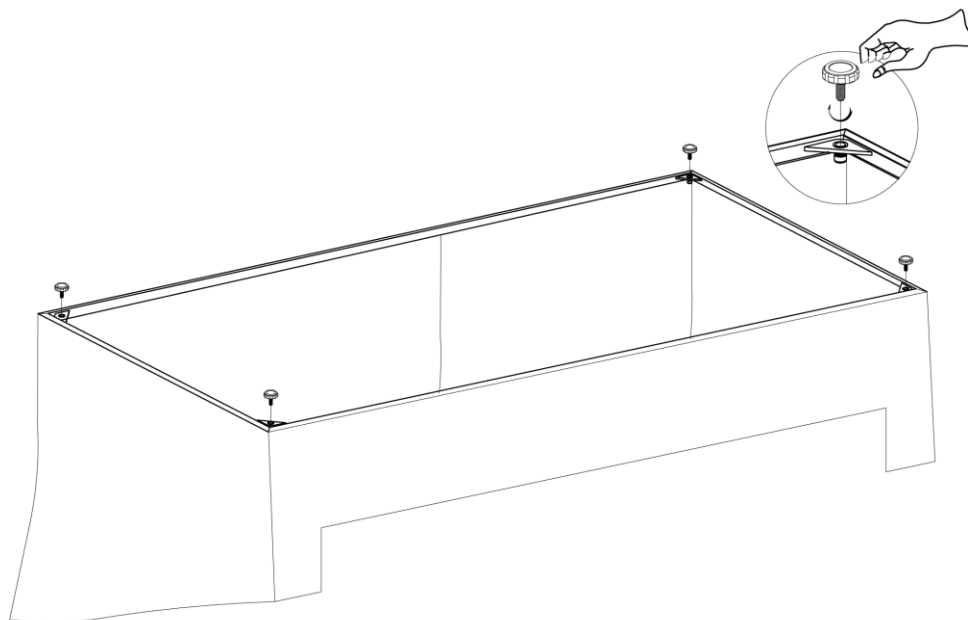
23531239

freedom 

Step 1 :



Step 2 :



**Umbria Sofa 3S**  
**Grey**

23531239

freedom 

**Finished :**

