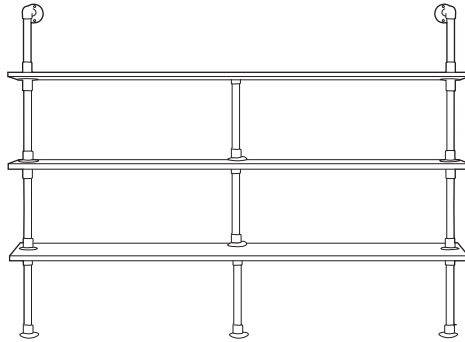


# CONVEYOR

## Furniture range



### THE STORY

Bring your home bang-up-to-date with the splendid Conveyer shelving unit. The industrial meets modern design is ingeniously inspired by plumbing piping and joints, rendered in steel with matte black powdercoating. The graphic lines of the steel frame contrast with the softness of the distressed mangowood, enhancing its natural characteristics.

### MATERIALS

Mango wood and steel.

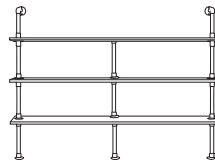
### COLOURS

Available in distressed natural.



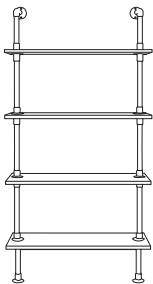
Console

w 135 d 44 h 80



Small shelving unit

w 140 d 35 h 101.5



Large shelving unit

w 100 d 35 h 192.5

\*Note: measurements are in centimeters and are approximate only.

While we aim to ensure that the information on this tearsheet is correct at the time of printing, it is sometimes necessary for changes to be made to product specifications. To avoid dissatisfaction, we suggest that you obtain confirmation of product specifications and availability with your Freedom Salesperson before placing your order. Please refer to website for care instructions: [www.freedom.com.au](http://www.freedom.com.au)