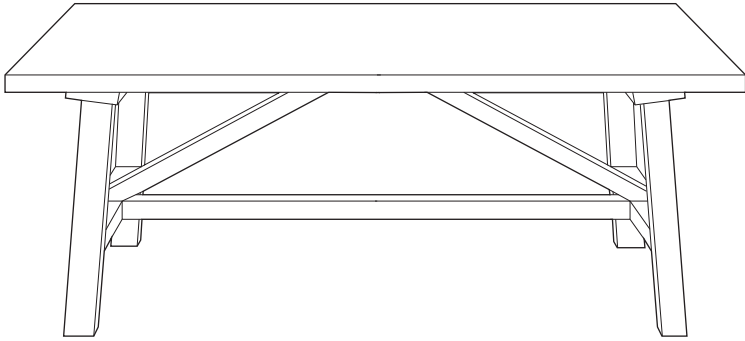


BARNSBURY

Furniture range



THE STORY

Clean lines with rustic accents hint at an industrial past, Barnsbury is rich in character and design. Its solid construction and hardwearing mango wood have been used as the foundation for the range. Barnsbury has a very warm, authentic appeal, and the dramatic, linear design adds an element of sophistication and style.

MATERIALS

Mango wood.

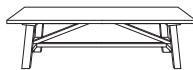
COLOURS

Available in distressed cafe.



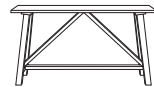
Side table

w 60 d 60 h 50



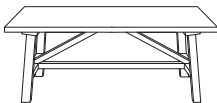
Coffee table

w 140 d 80 h 45



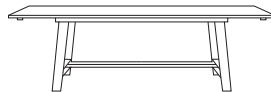
Console

w 140 d 45 h 80



Dining table

w 220 d 100 h 76



Extension dining table

w 190/250 d 100 h 76



Tall buffet

w 170 d 40 h 210

*Note: measurements are in centimeters and are approximate only.

While we aim to ensure that the information on this tearsheet is correct at the time of printing, it is sometimes necessary for changes to be made to product specifications. To avoid disappointment, we suggest that you obtain confirmation of product specifications and availability with your Freedom Salesperson before placing your order. Please refer to website for care instructions: www.freedom.com.au