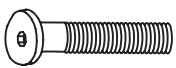








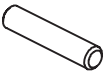






- Thank you for purchasing the **Stockholm Bookcase**. Before you begin to assemble your new piece of furniture, please check to ensure that all hardware and parts have been supplied. This page lists all contents included in the carton(s).
- Follow instructions closely as deviation from them may present a possible safety risk and may void your warranty.
- It is recommended that assembly is done on a soft surface such as carpet to avoid any damage.
- If you experience any problems with your new purchase please phone Freedom Customer Service (FCS) on 1300 135 558 (Australia) or 0800 469 327 (New Zealand)

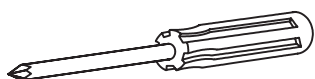
Care Information

Periodically check and re-tighten any fasteners. Wipe down all surfaces weekly with a clean cloth. Do not clean any surfaces using harsh abrasives or chemicals

Hardware (Supplied)

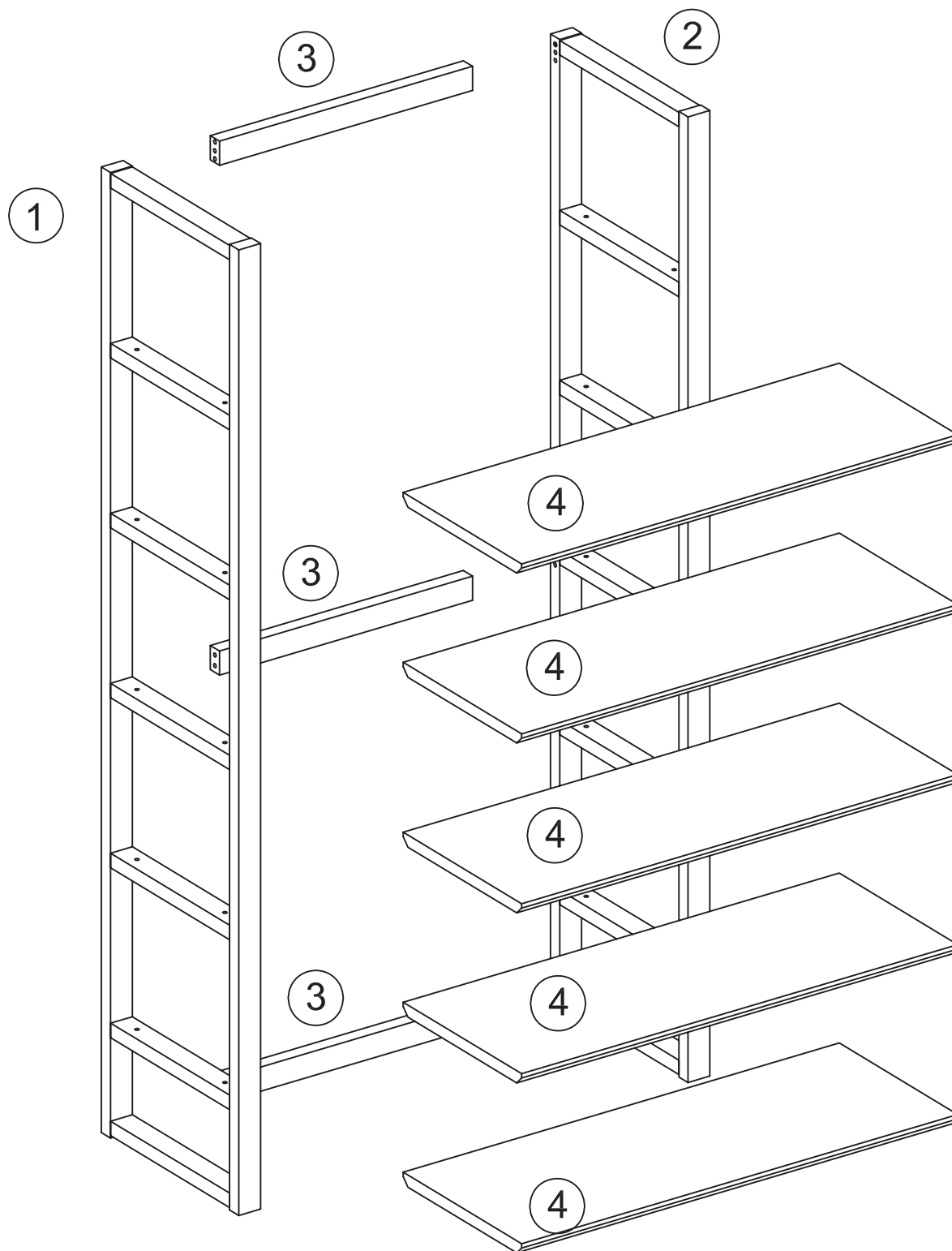
| | | | | | |
|--|---|---|---|--|---|
|  A x20 M6*35 |  B x20 Ø16/Ø6 |  C x20 M6 |  D x1 4mm*120 |  E x6 M8*90mm |  F x6 30*14*9 |
|  G x6 M8 |  H x6 M8 |  I x1 M8 |  J x12 Ø8*30 |  K x2 150mm |  L x2 M4*Ø12 |
|  M x2 Ø3.5*16 |  N x6 Ø16/Ø8 | | | | |

Tools Required (Not Supplied)

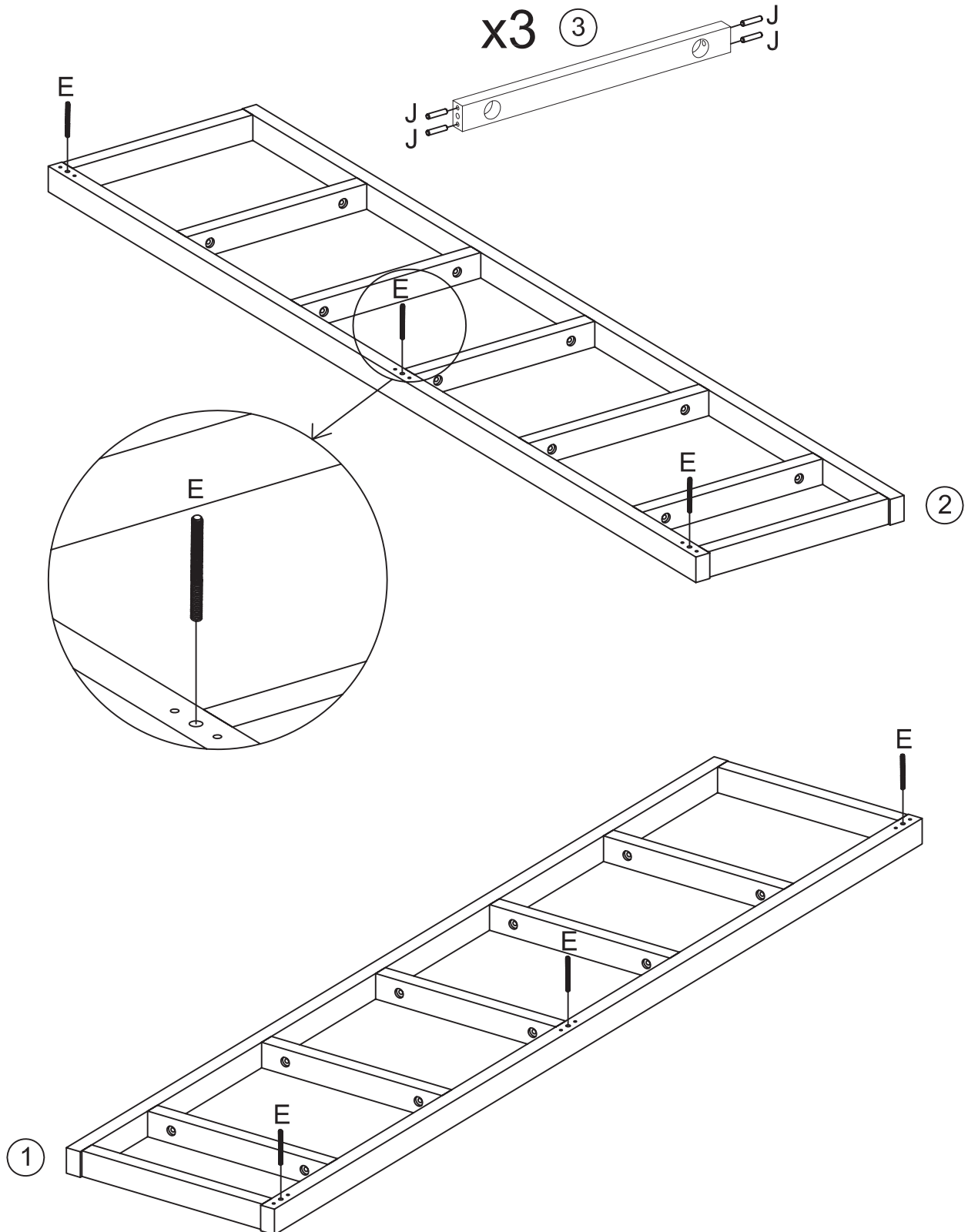
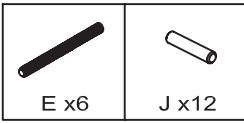


Phillips Head Screwdriver






Parts

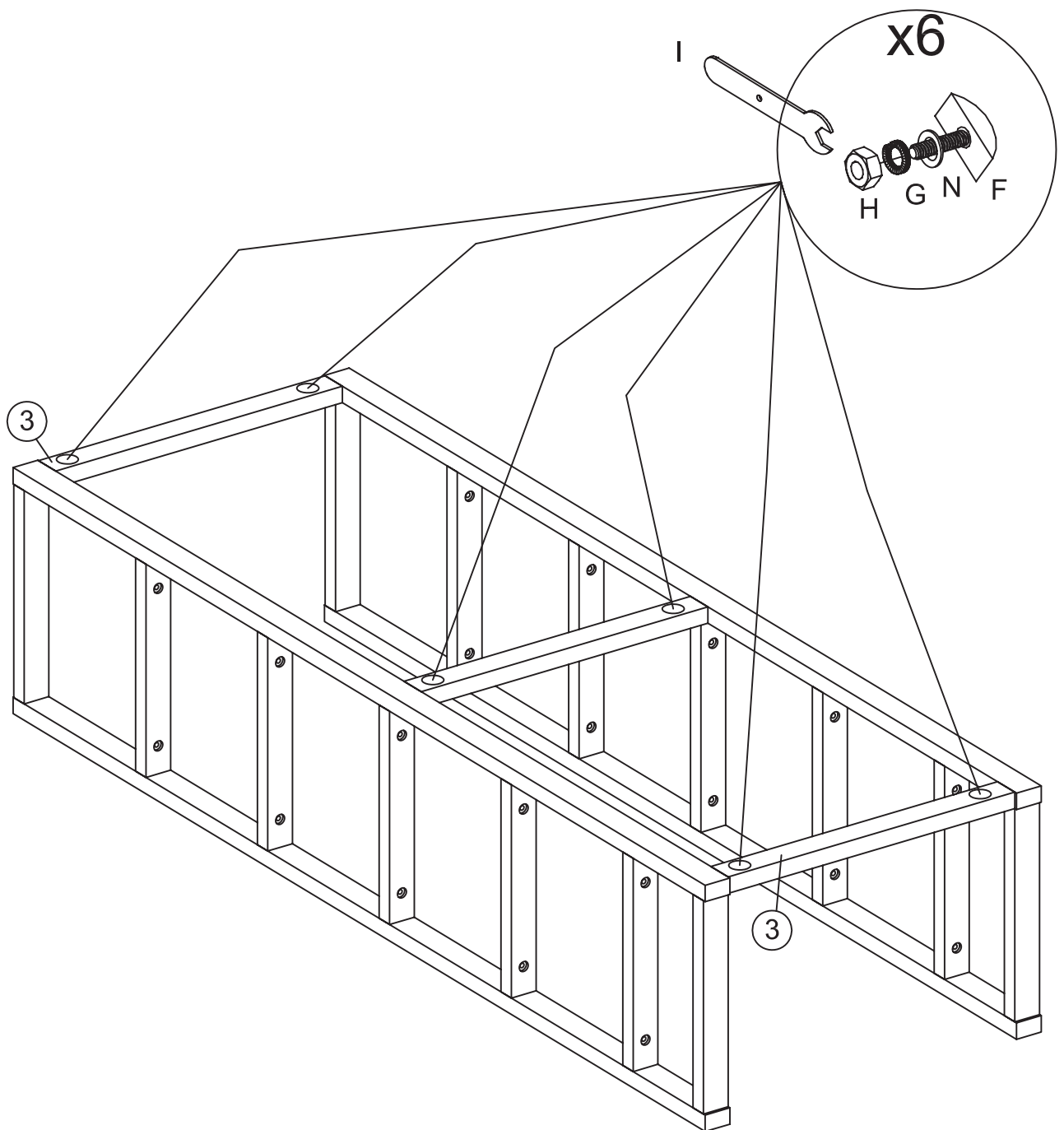


Step 1.

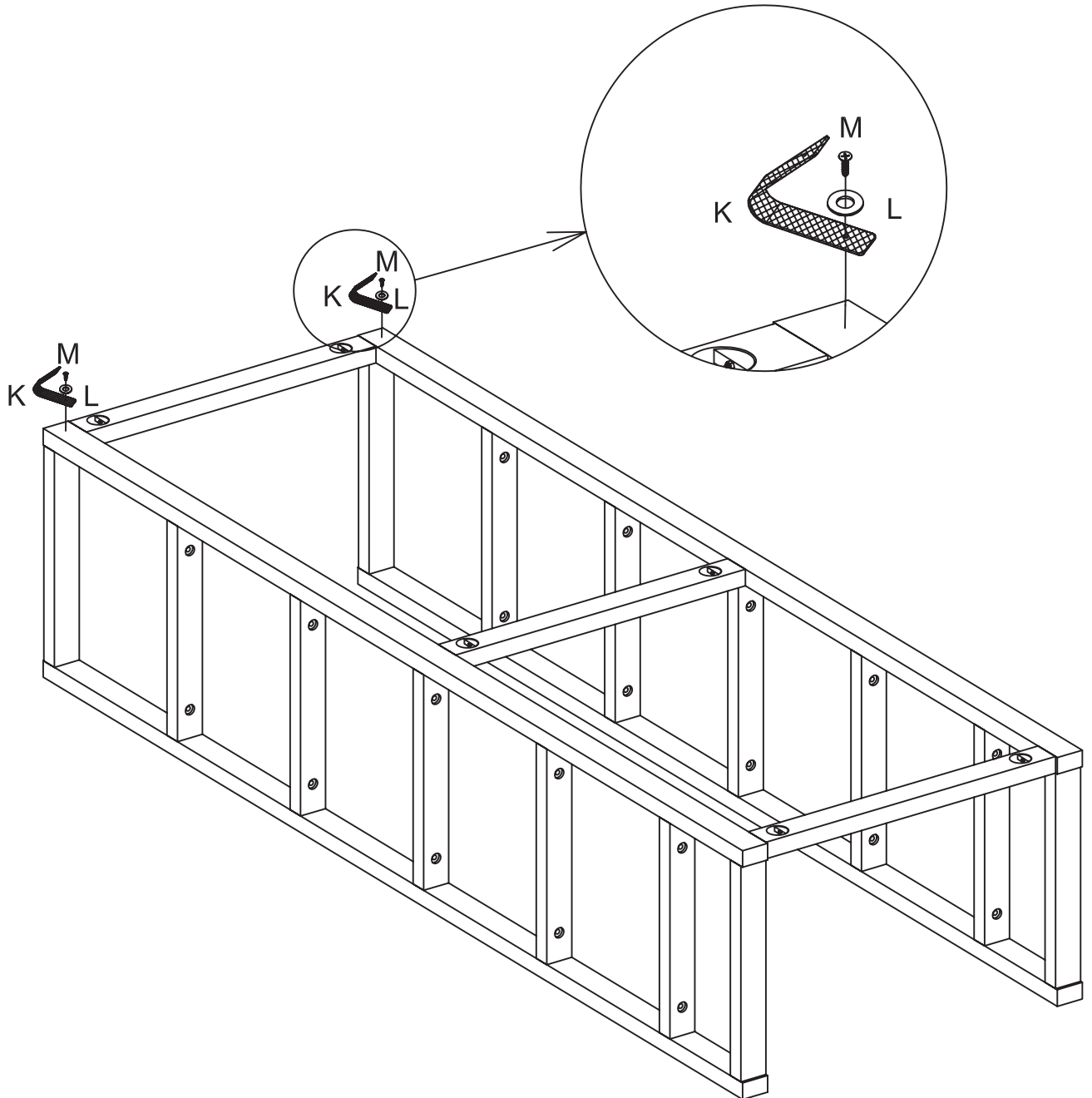
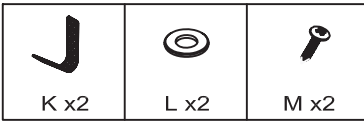


Step 2.

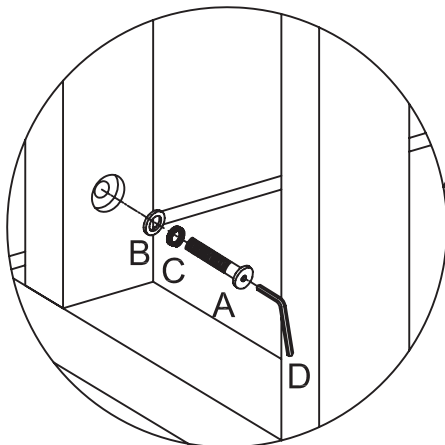
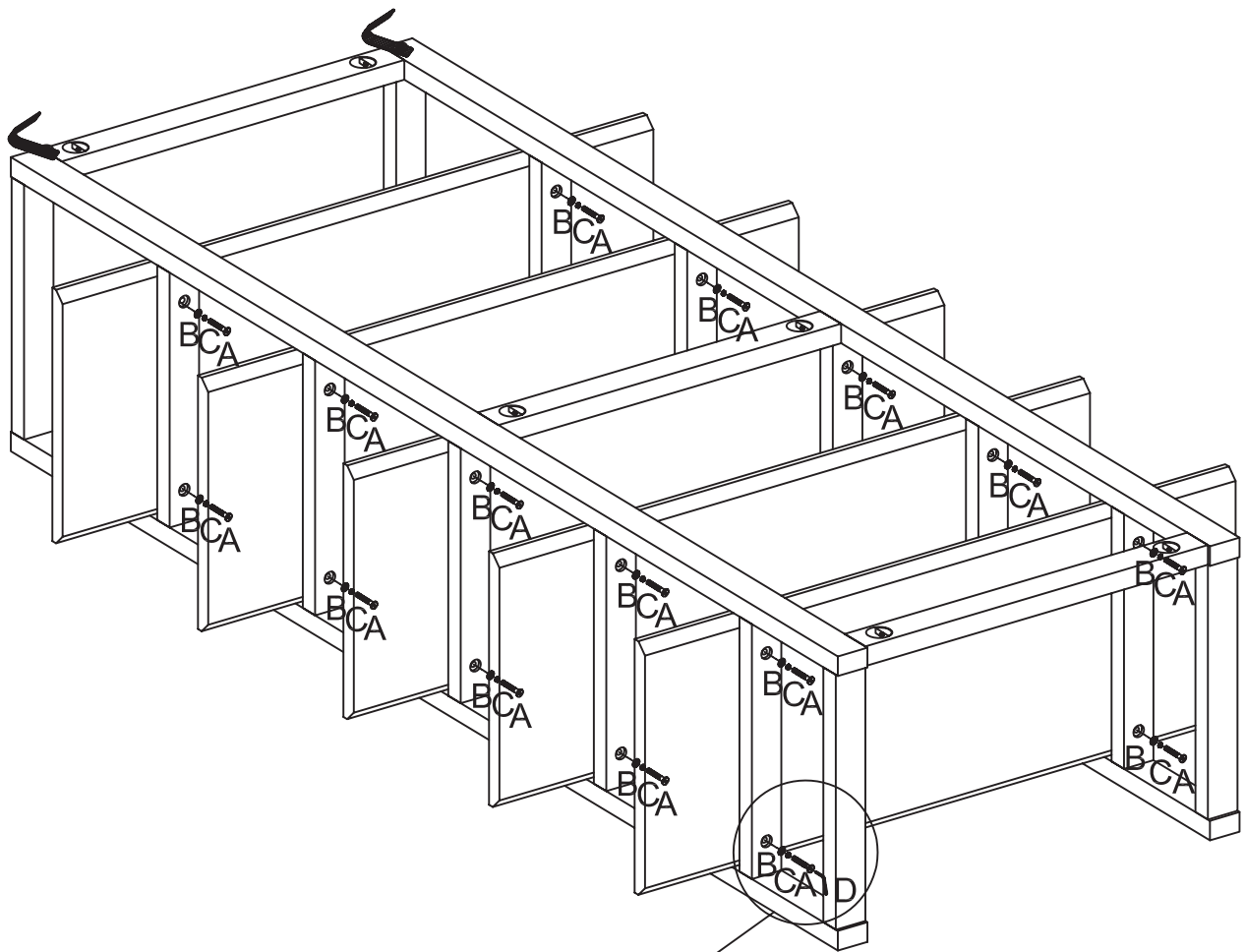
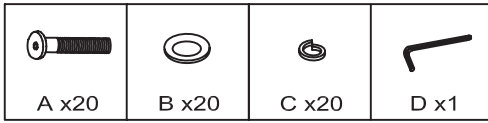
| | | | | |
|---|---|---|---|---|
|  |  |  |  |  |
| F x6 | G x6 | H x6 | I x1 | N x6 |



Step 3.



Step 4.



Step 5.

