

# Frieda Queen/Double Bed

23475786 23475793 / 23475847 23475854

freedom 

Thank you for purchasing the Frieda Queen/Double Bed. Before you begin to assemble your new piece of furniture, please check to ensure that all hardware and parts have been supplied. This page lists all contents included in the carton(s).

Follow instructions closely as deviation from them may present a possible safety risk and may void your warranty.

It is recommended that assembly is done on a soft surface such as carpet to avoid any damage.












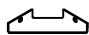

If you experience any problems with your new purchase, please phone Freedom Customer Service (FCS) on 1300 135 588, Customers outside Australia should contact their closest Freedom store.

## Care Information

Periodically check and re-tighten any fasteners. Dust weekly using a soft, clean cloth. Do not use harsh abrasives, chemicals or polishes containing silicone. Avoid direct sunlight as this will cause the timber to change colour.

It is important to remove moist substances immediately.

## Hardware

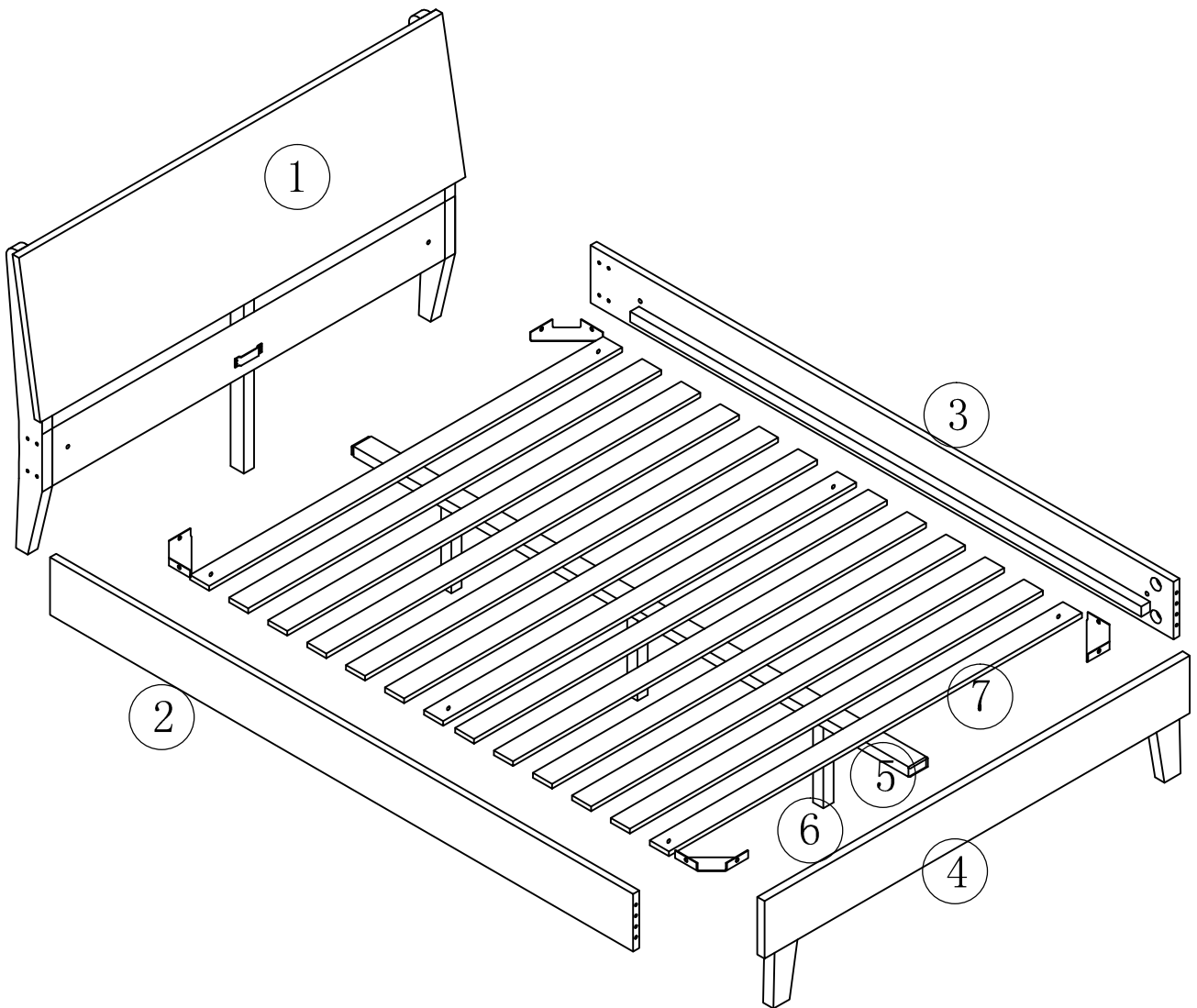
Code	Description	Qty	Code	Description	Qty	Code	Description	Qty	Code	Description	Qty
A	 Full thread Bolt ø8*70	4	B	 12mm	4	C	 Nut M8	4	D	 Wrench 8mm	1
E	 Bolt ø6*38	7	F	 Spring Washer M6	15	G	 Flat Washer ø12*6	7	H	 Allen Key 4mm	1
I	 Wood Dowel ø8*30	8	J	 Bolt ø6*15	8	K	 Screw ø3.5*30	6	L	 Metal Bracket	4
M	 Flat Washer ø19*6	8									

# Frieda Queen/Double Bed

23475786 23475793 / 23475847 23475854

freedom 

## PARTS








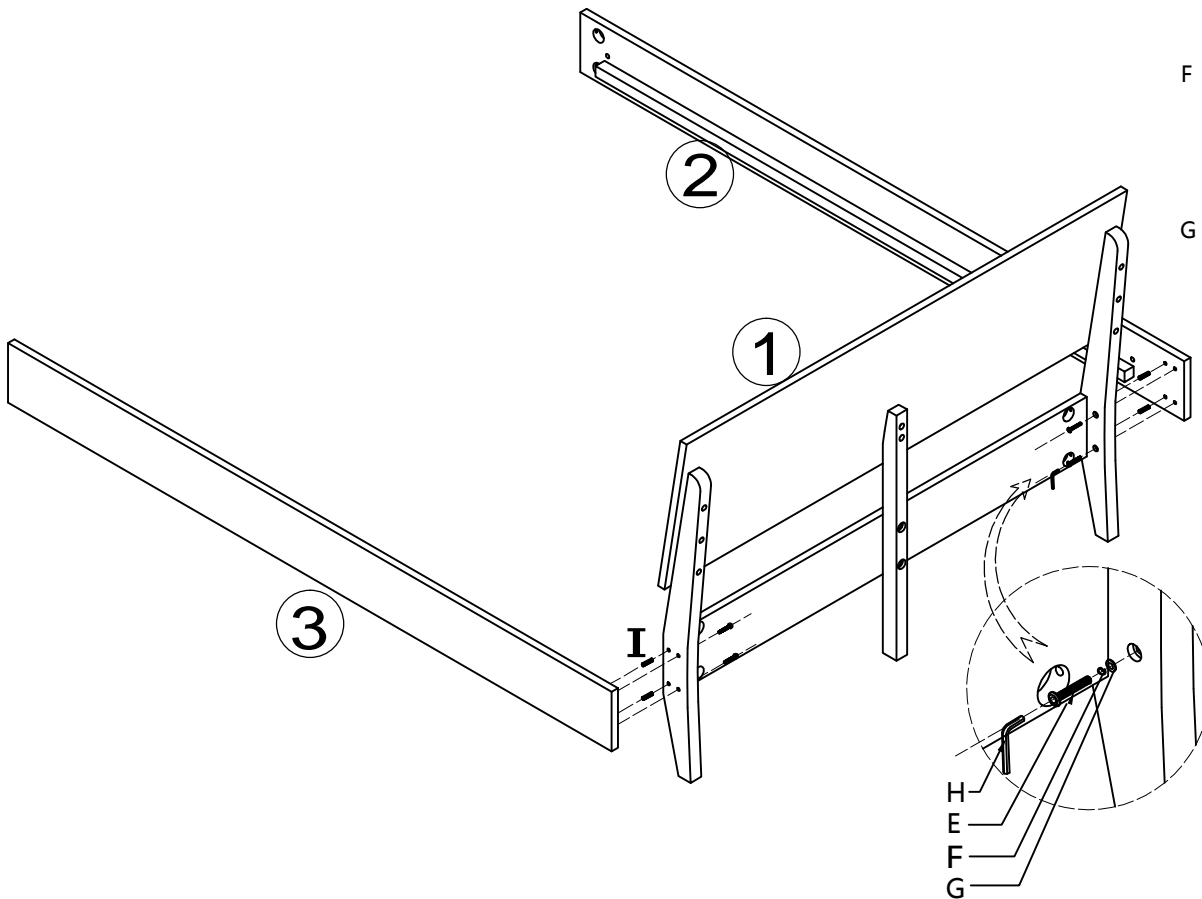
# Frieda Queen/Double Bed

23475786 23475793 / 23475847 23475854



## STEP 1

Code	Description	Qty
I	 Wood dowel ø8*30	4
H	 Allen key 4mm	1
E	 Bolt ø6*38	4
F	 Spring washer M6	4
G	 Flat washer ø12*6	4








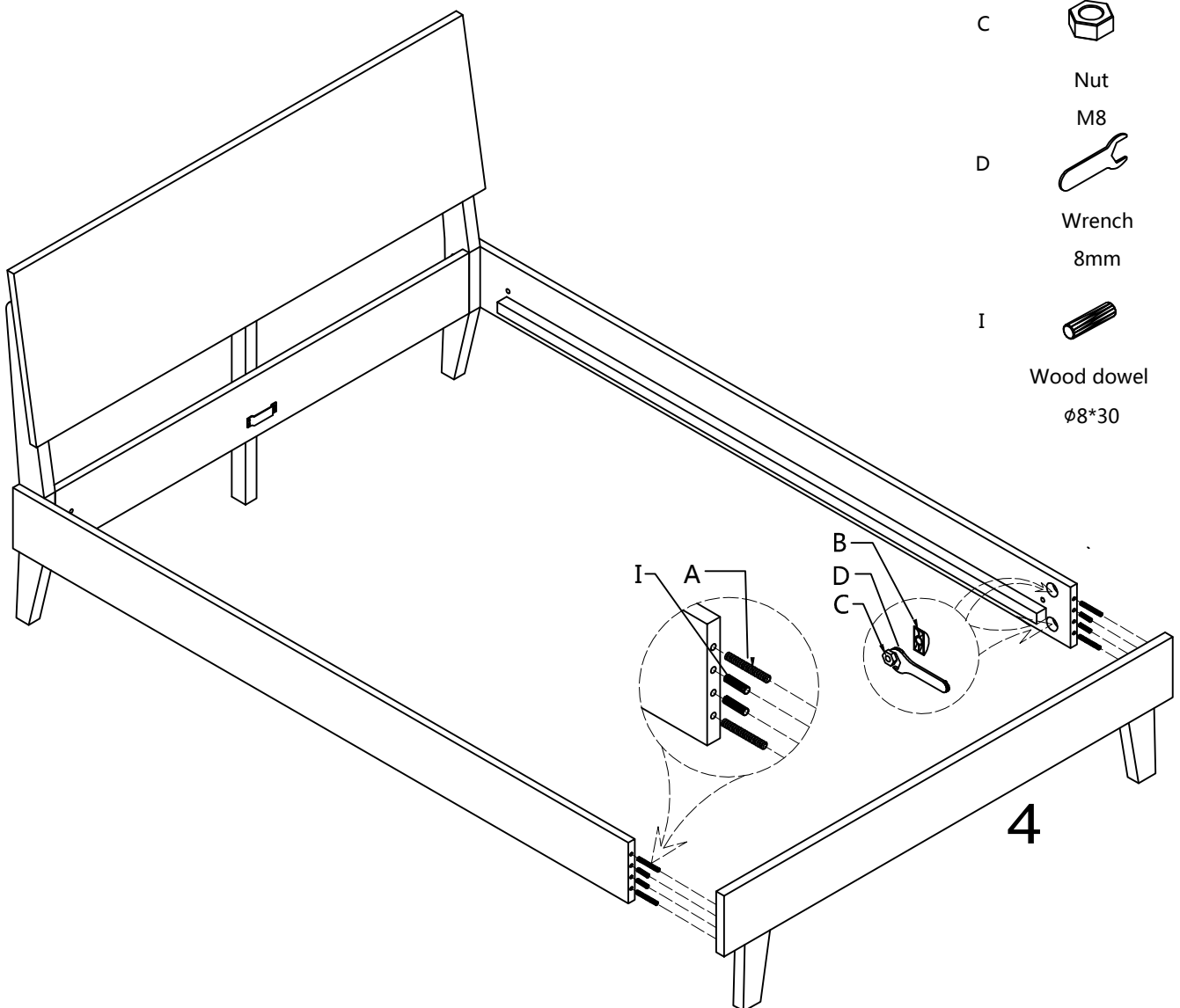
# Frieda Queen/Double Bed

23475786 23475793 / 23475847 23475854



## STEP 2

Code	Description	Qty
A	 Full thread bolt Ø8*70	4
B	 12mm	4
C	 Nut M8	4
D	 Wrench 8mm	1
I	 Wood dowel Ø8*30	4







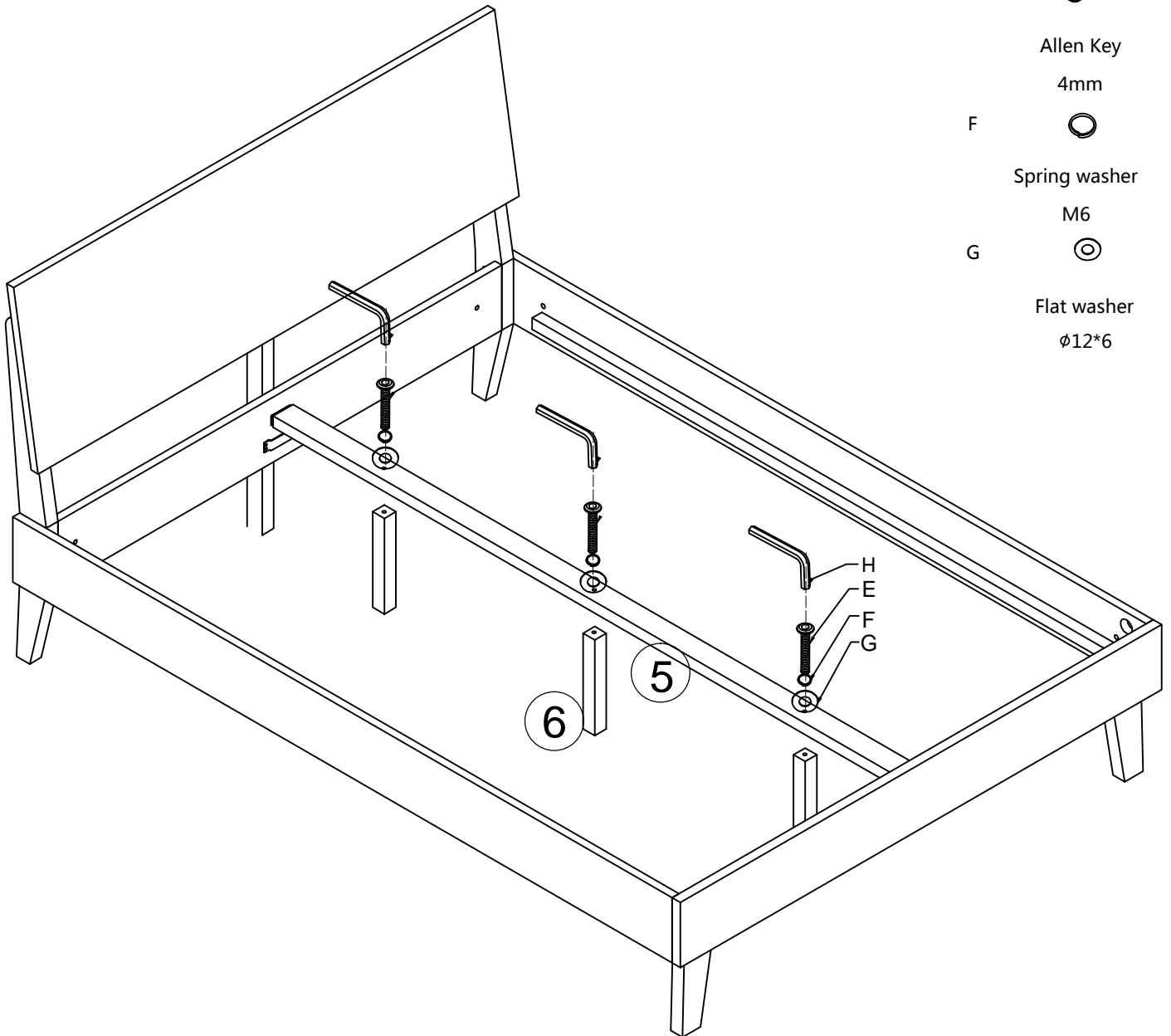
# Frieda Queen/Double Bed

23475786 23475793 / 23475847 23475854



## STEP 3

Code	Description	Qty
E	 Bolt Ø6*38	3
H	 Allen Key 4mm	1
F	 Spring washer M6	3
G	 Flat washer Ø12*6	3

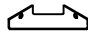




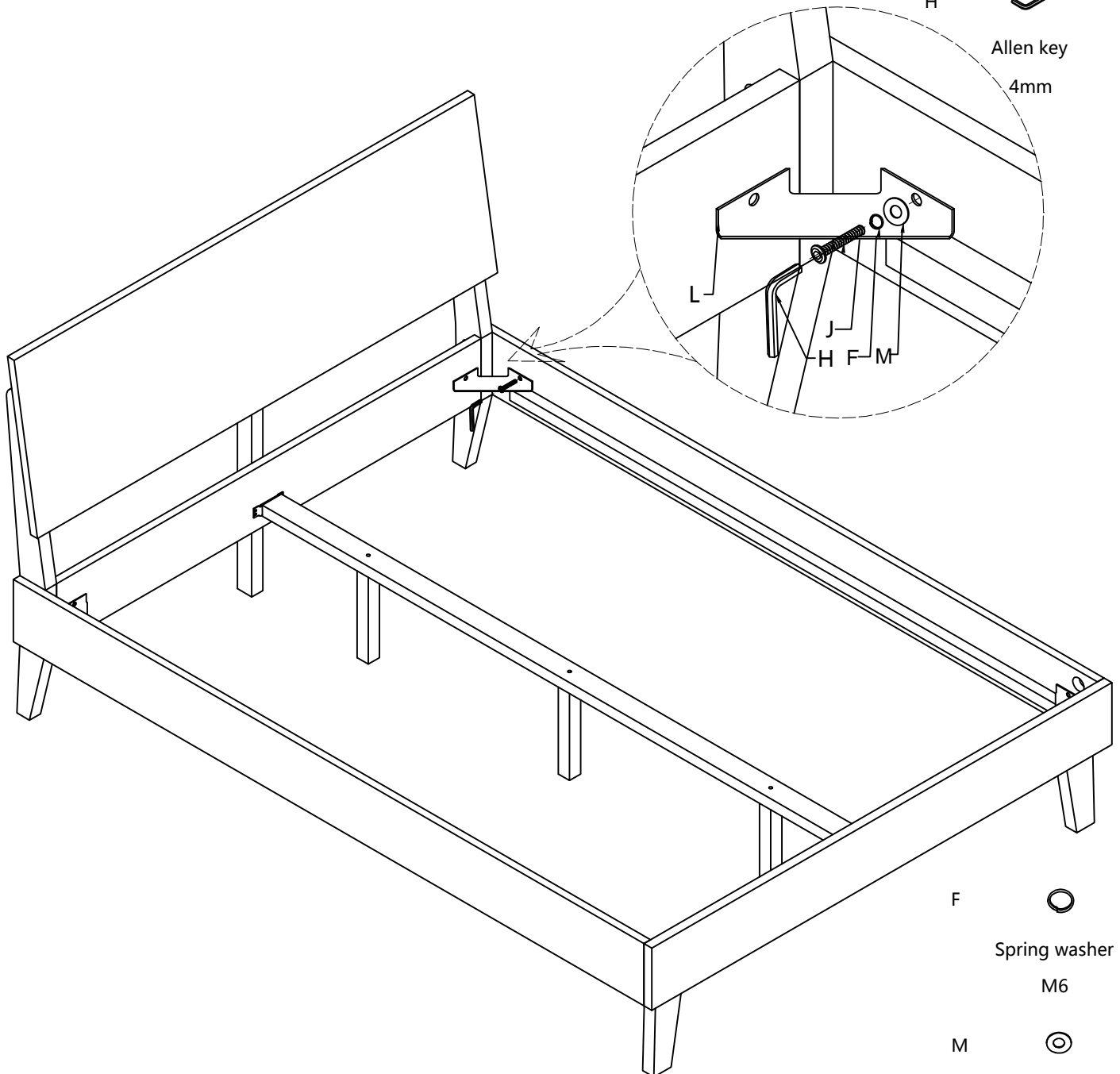
# Frieda Queen/Double Bed



23475786 23475793 / 23475847 23475854



## STEP 4

Code	Description	Qty
L	 Metal bracket	4
J	 Bolt ø6*15	8
H	 Allen key 4mm	1




F		8
	Spring washer M6	
M		8
	Flat Washer ø19*6	

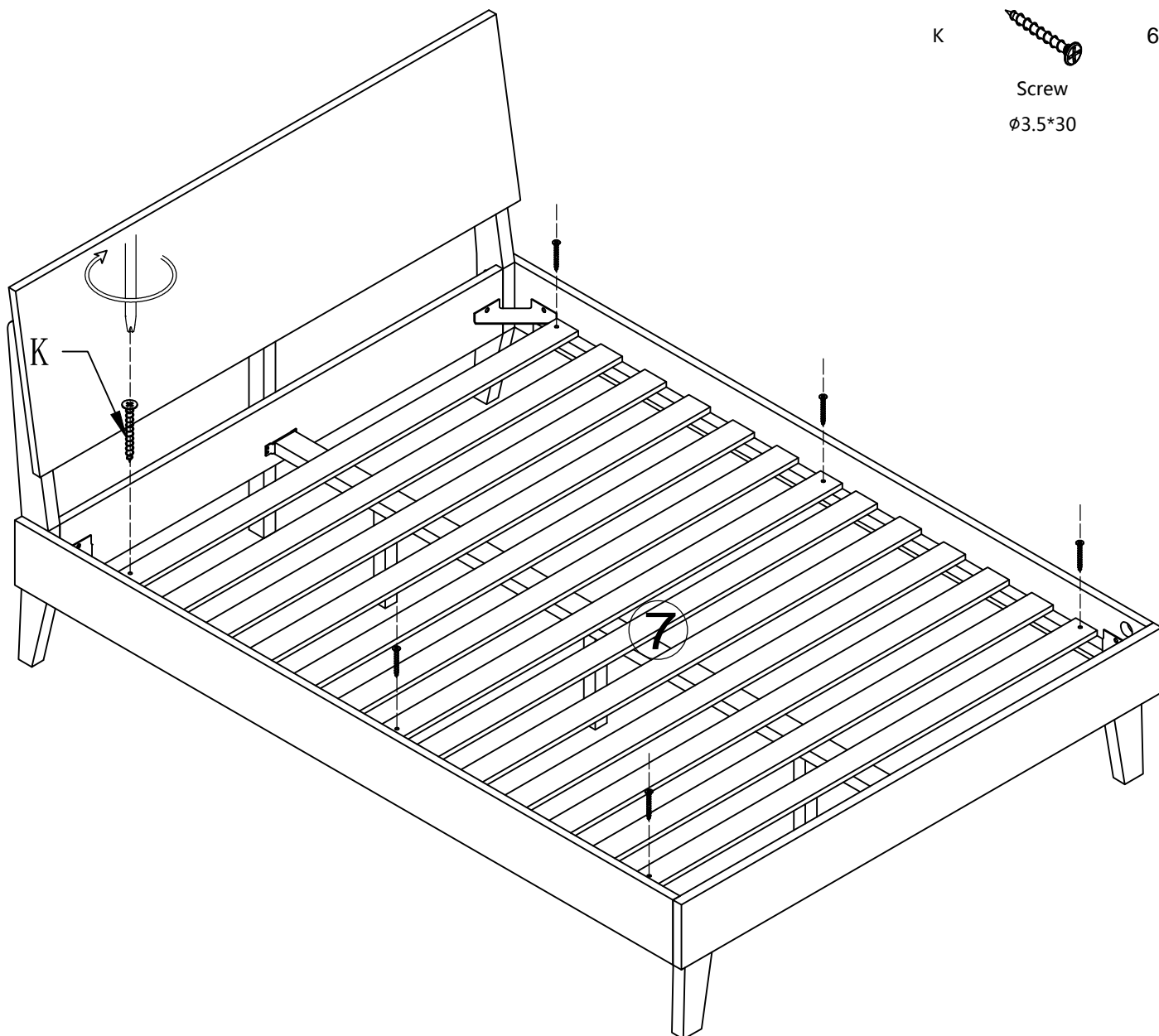
# Frieda Queen/Double Bed

23475786 23475793 / 23475847 23475854



## STEP 5

Code	Description	Qty
K	 Screw ø3.5*30	6



Finish

## IMPORTANT!

! Once completed, ensure that all screws are firmly tightened. This is very important for the safety of your product.