

Frieda Console Table 2 Drawer

23475779




- 🔧 Thank you for purchasing the Frieda Console Table 2 Drawer . Before you begin to assemble your new piece of furniture, please check to ensure that all hardware and parts have been supplied. This page lists all contents included in the carton(s).
- 🔧 Follow instructions closely as deviation from them may present a possible safety risk and may void your warranty.
- 🔧 It is recommended that assembly is done on a soft surface such as carpet to avoid any damage.
- 🔧 If you experience any problems with your new purchase please phone Freedom Customer Service (FCS) on 1300 135 588, Customers outside Australia should contact their closest Freedom store.

Care Information

Periodically check and re-tighten any fasteners. Dust weekly using a soft, clean cloth. Do not use harsh abrasives, chemicals or polishes containing silicone. Avoid direct sunlight as this will cause the timber to change colour. It is important to remove moist substances immediately.

Hardware

Code	Description	Qty
------	-------------	-----

A	 Wrench 8mm	1
---	------------------------------------------------------------------------------------------------------	---

Code	Description	Qty
------	-------------	-----

D	 Full thread Bolt ø8*70	2
---	------------------------------------------------------------------------------------------------------------------	---

Code	Description	Qty
------	-------------	-----

G	 Allen key 4mm	1
---	---------------------------------------------------------------------------------------------------------	---

Code	Description	Qty
------	-------------	-----

J	 Spring washer M6	10
---	------------------------------------------------------------------------------------------------------------	----

Code	Description	Qty
------	-------------	-----

M	 Flat washer M5	4
---	----------------------------------------------------------------------------------------------------------	---

Code	Description	Qty
------	-------------	-----

B	 12mm	2
---	---------------------------------------------------------------------------------------------	---

Code	Description	Qty
------	-------------	-----

E	 Bolt ø6*30	10
---	------------------------------------------------------------------------------------------------------	----

Code	Description	Qty
------	-------------	-----

H	 Flat washer ø12*6	10
---	-------------------------------------------------------------------------------------------------------------	----

Code	Description	Qty
------	-------------	-----

K	 Wall fixing strap	2
---	----------------------------------------------------------------------------------------------------------	---

Code	Description	Qty
------	-------------	-----

C	 Nut M8	2
---	----------------------------------------------------------------------------------------------------	---

Code	Description	Qty
------	-------------	-----

F	 Wood dowel ø8*30	6
---	--------------------------------------------------------------------------------------------------------------	---

Code	Description	Qty
------	-------------	-----

I	 Screw ø3.5*30mm	2
---	-------------------------------------------------------------------------------------------------------------	---

Code	Description	Qty
------	-------------	-----

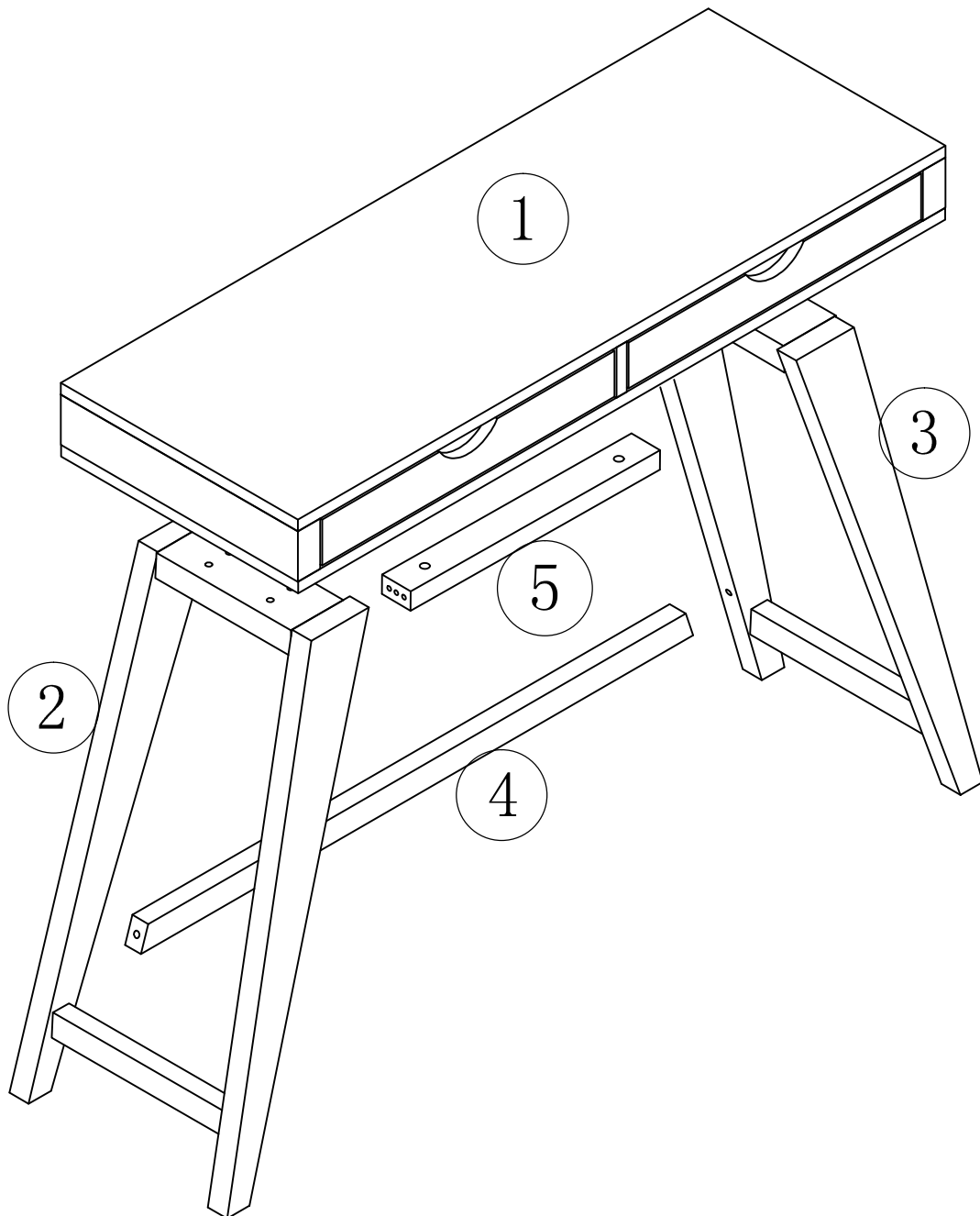
L	 Screw M6	4
---	------------------------------------------------------------------------------------------------------	---

Frieda Console Table 2 Drawer

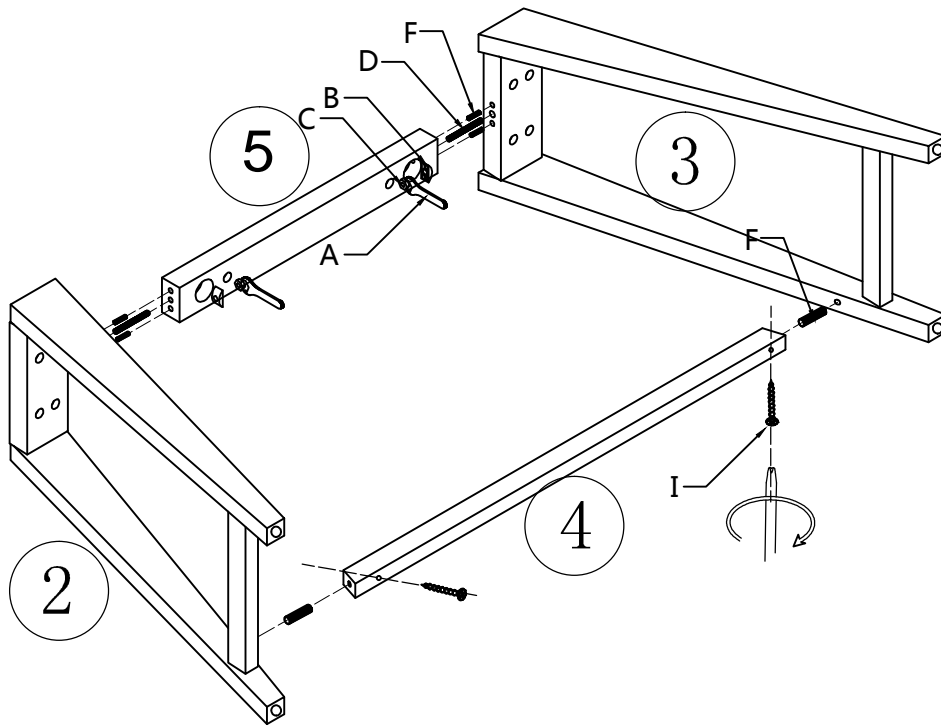
23475779

freedom 

PARTS

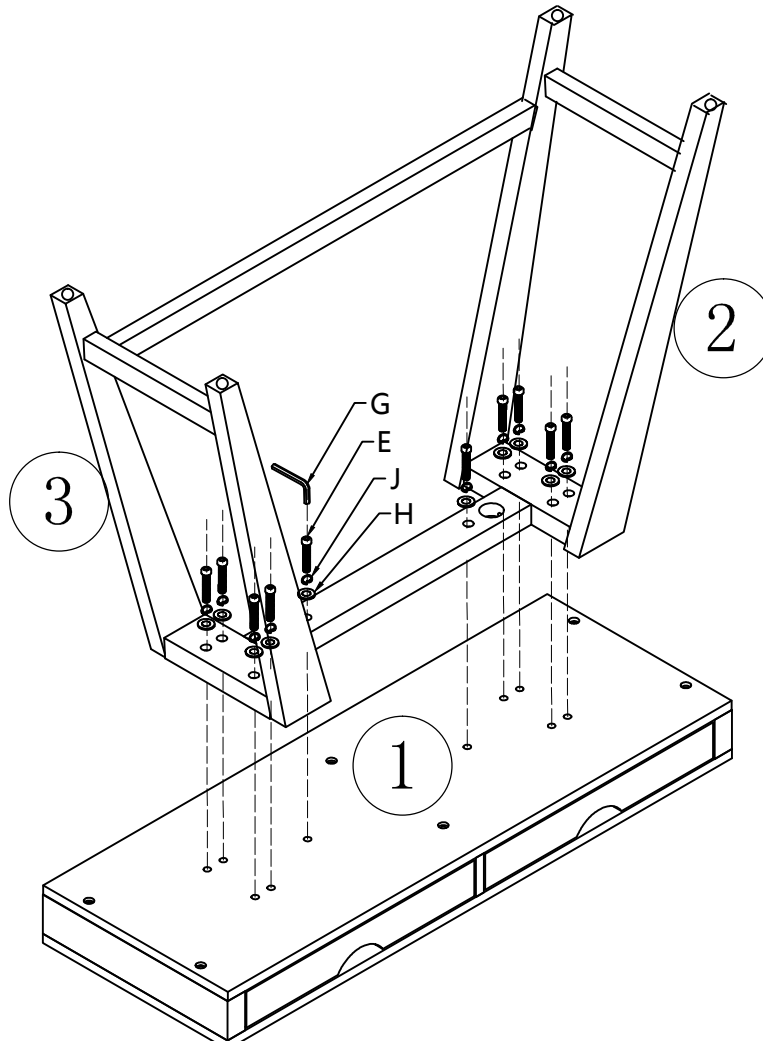


STEP 1



Code	Description	Qty
A	Wrench 8mm	1
B	12mm	2
C	Nut M8	2
D	Full thread bolt ø8*70	2
F	Wood dowel ø8*30	6
I	Screw ø3.5*30mm	2

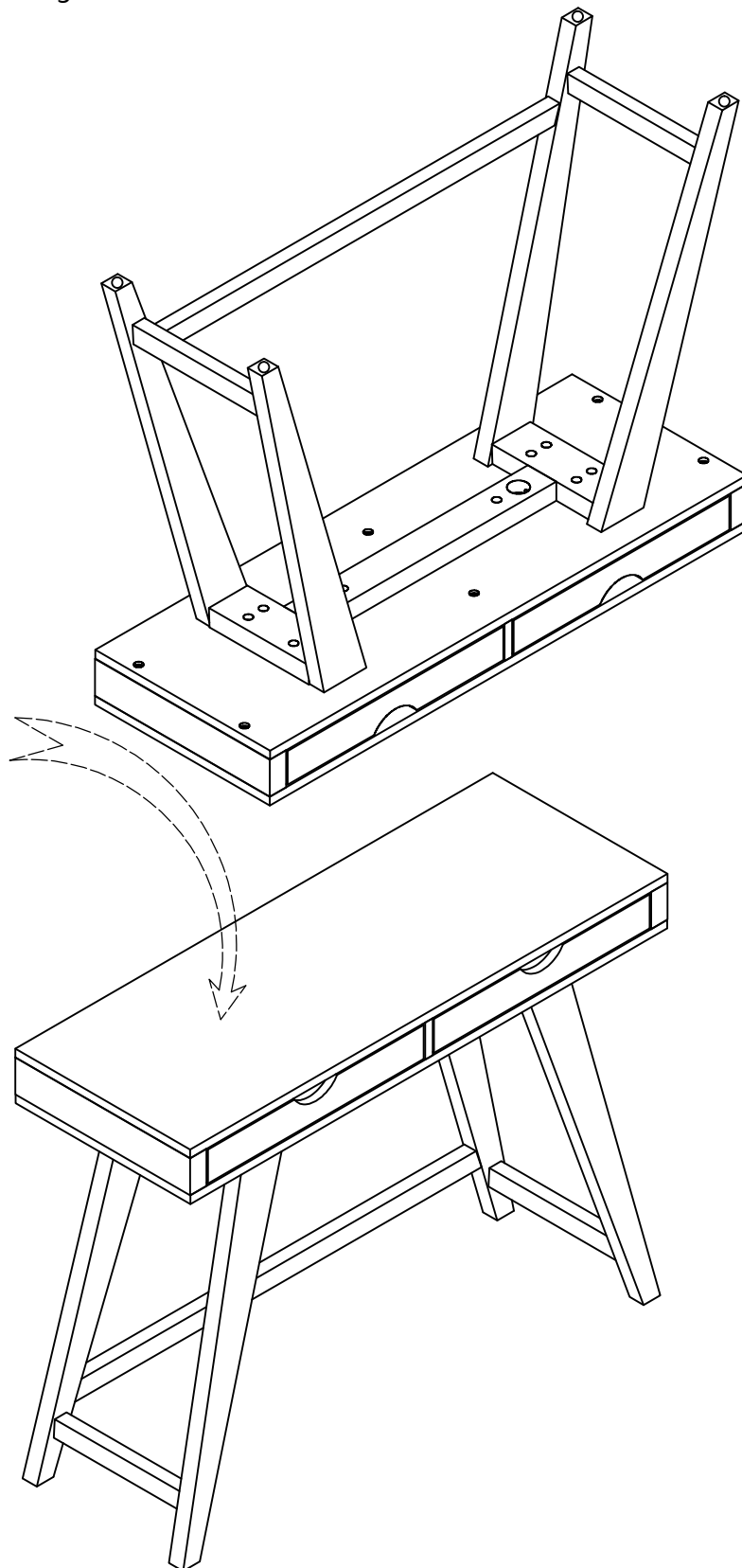
STEP 2



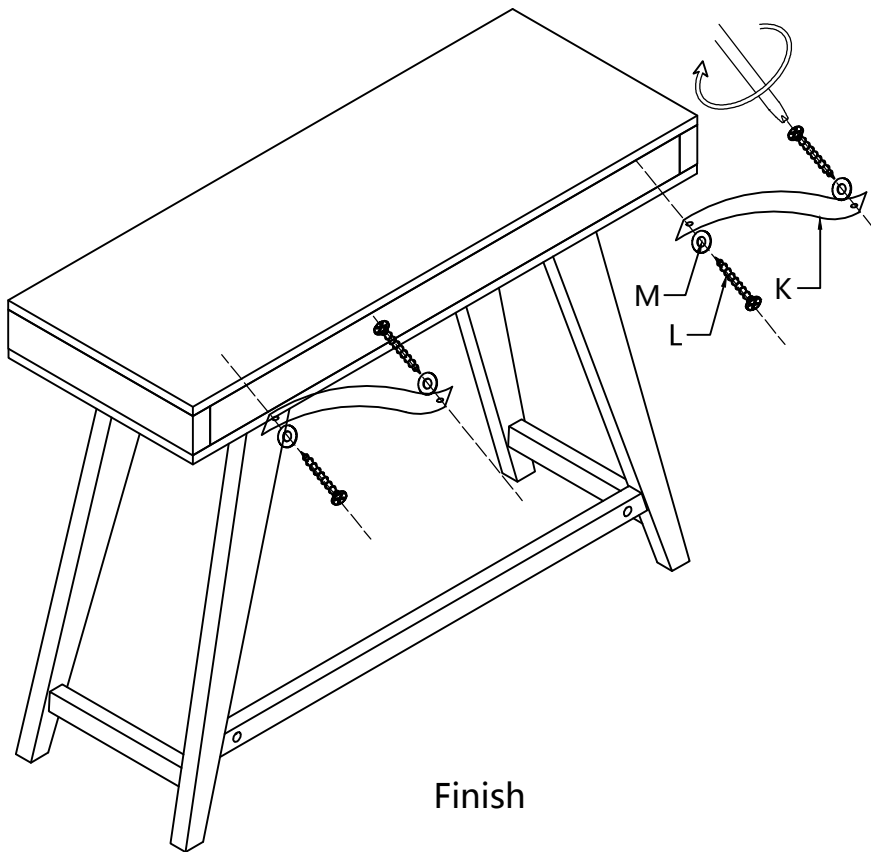
Code	Description	Qty
H	Flat washer ø12*6	10
J	Spring washer M6	10
E	Bolt ø6*30	10
G	Allen key 4mm	1

STEP 3




Once assembly has been completed, do not attempt to roll the table upright as this will damage the table, instead two persons should carefully lift, rotate in the air and then put table down in an upright position on all four legs.



STEP4



Finish

Code	Description	Qty
K	 Wall fixing strap	2
L	 Screw M6	4
M	 Flat washer M5	4

WALL

IMPORTANT!

! Once completed, ensure that all screws are firmly tightened. This is very important for the safety of your product.