

Frieda Coffee Table 1 Drawer

23475748










freedom 

- Thank you for purchasing the Frieda Coffee Table 1 Drawer. Before you begin to assemble your new piece of furniture, please check to ensure that all hardware and parts have been supplied. This page lists all contents included in the carton(s).
- Follow instructions closely as deviation from them may present a possible safety risk and may void your warranty.
- It is recommended that assembly is done on a soft surface such as carpet to avoid any damage.
- If you experience any problems with your new purchase, please phone Freedom Customer Service (FCS) on 1300 135 588, Customers outside Australia should contact their closest Freedom store.

Care Information

Periodically check and re-tighten any fasteners. Dust weekly using a soft, clean cloth. Do not use harsh abrasives, chemicals or polishes containing silicone. Avoid direct sunlight as this will cause the timber to change colour. It is important to remove moist substances immediately.

Hardware

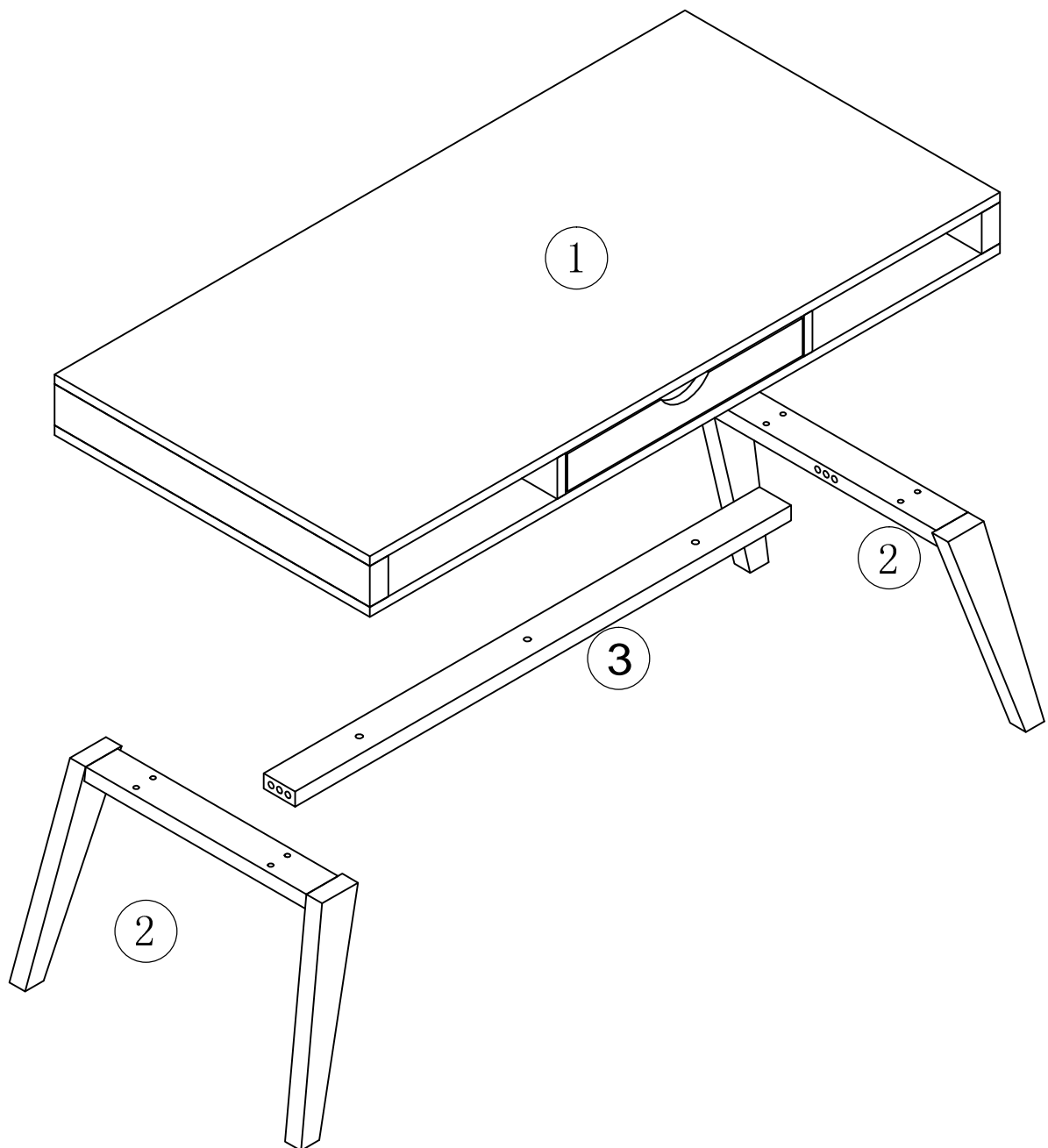
Code	Description	Qty	Code	Description	Qty	Code	Description	Qty	Code	Description	Qty
A	 Full thread bolt ø8*70	2	B	 12mm	2	C	 Nut M8	2	D	 Wrench 8mm	1
E	 Bolt ø6*30	11	F	 Spring washer M6	11	G	 Flat washer ø12*6	11	H	 Allen key 4mm	1
I	 Wood dowel ø8*30	4									

Frieda Coffee Table 1 Drawer

23475748

freedom 

PARTS

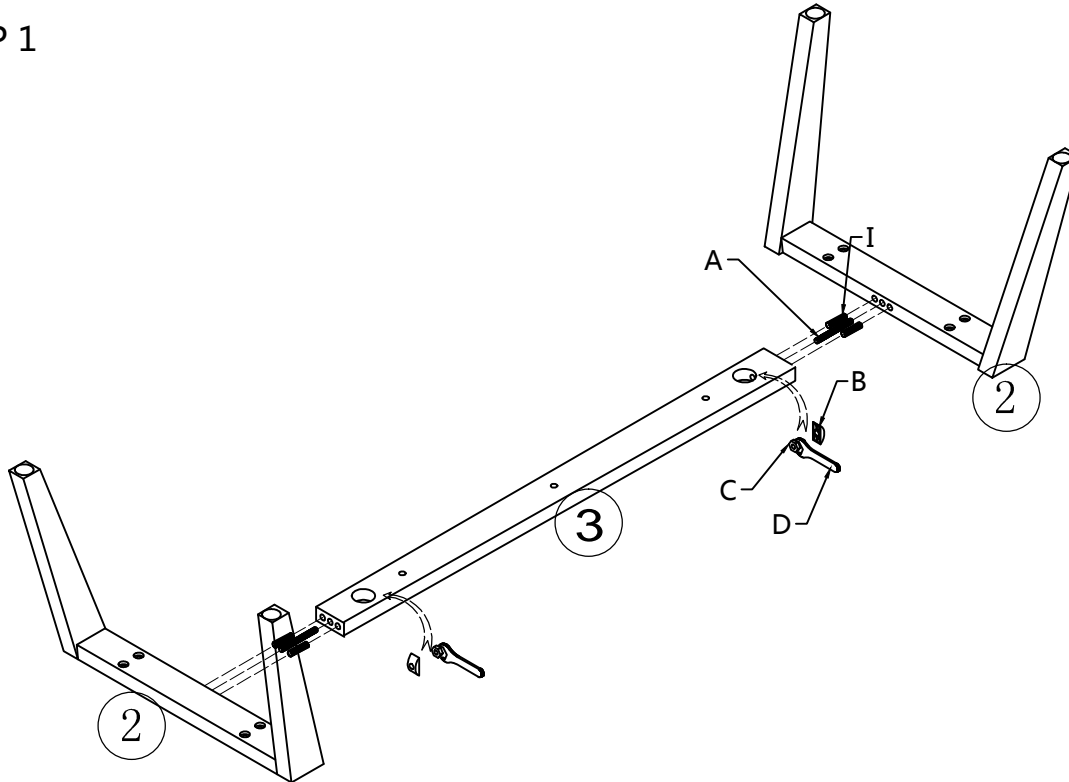







Frieda Coffee Table 1 Drawer

23475748

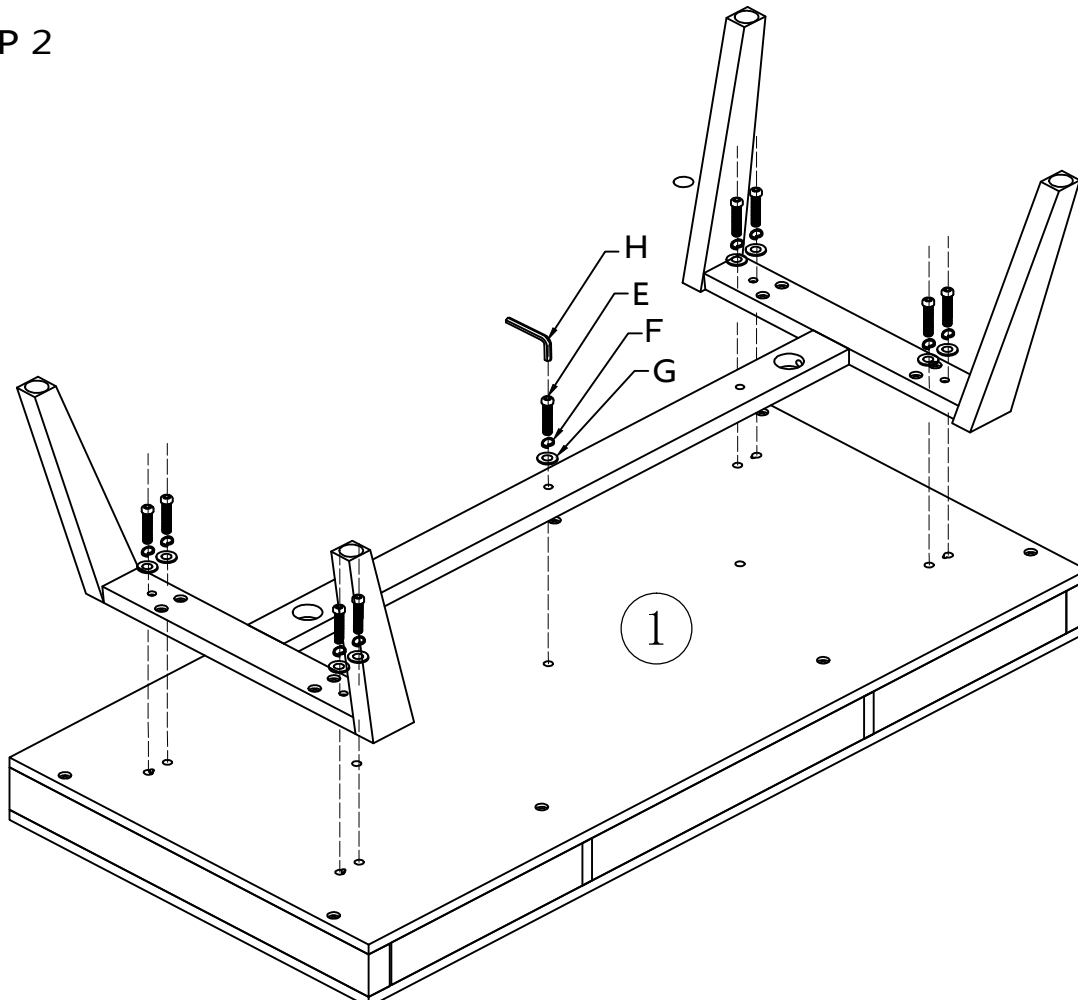
freedom 





STEP 1



Code	Description	Qty
A	 Full thread bolt ø8*70	2
B	 12mm	2
C	 Nut M8	2
D	 Wrench 8mm	1
I	 Wood dowel ø8*30	4

STEP 2



Code	Description	Qty
E	 Bolt ø6*30	11
F	 Spring washer M6	11
G	 Flat washer ø12*6	11
H	 Allen key 4mm	1

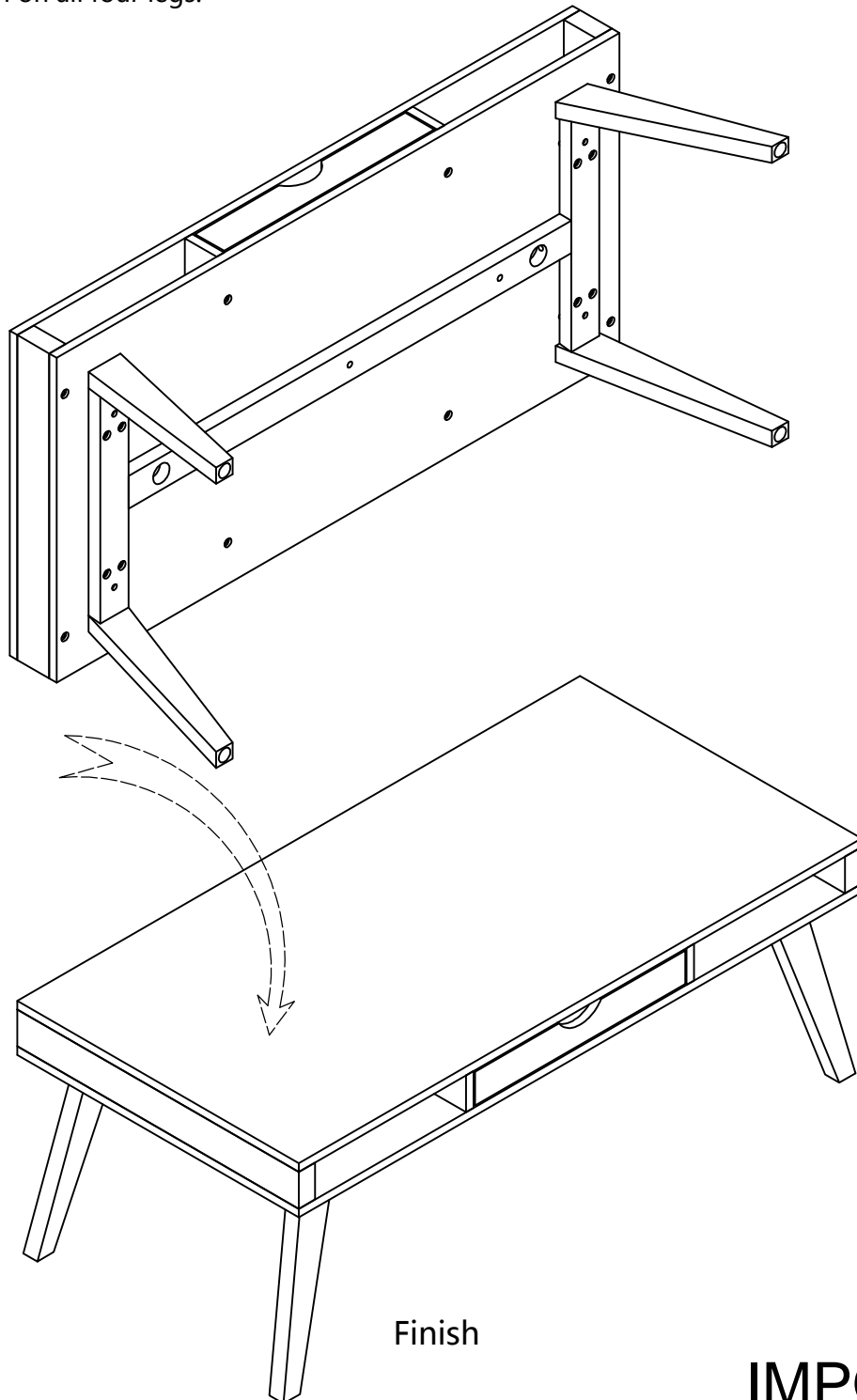
Frieda Coffee Table 1 Drawer

23475748

freedom 

STEP 3

Once assembly has been completed, do not attempt to roll the table upright as this will damage the table, instead two persons should carefully lift, rotate in the air and then put table down in an upright position on all four legs.



IMPORTANT!

! Once completed, ensure that all screws are firmly tightened. This is very important for the safety of your product.