







- 🔧 Thank you for purchasing the **Frieda Dining Table** . Before you begin to assemble your new piece of furniture, please check to ensure that all hardware and parts have been supplied. This page lists all contents included in the carton(s).
- 🔧 Follow instructions closely as deviation from them may present a possible safety risk and may void your warranty.
- 🔧 It is recommended that assembly is done on a soft surface such as carpet to avoid any damage.
- 🔧 If you experience any problems with your new purchase, please phone Freedom Customer Service (FCS) on 1300 135 588, Customers outside Australia should contact their closest Freedom store.

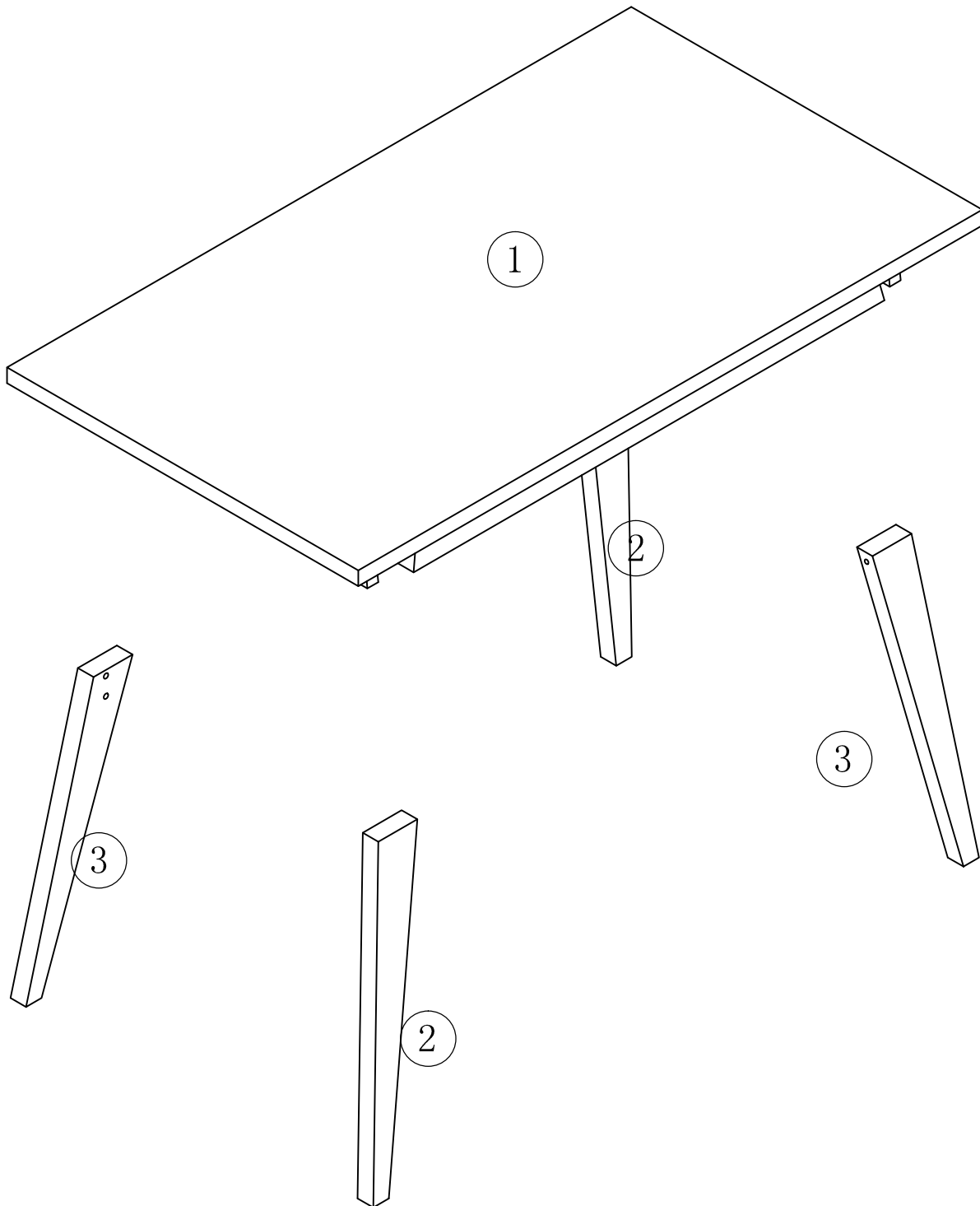
Care Information

Periodically check and re-tighten any fasteners. Dust weekly using a soft, clean cloth. Do not use harsh abrasives, chemicals or polishes containing silicone. Avoid direct sunlight as this will cause the timber to change colour. It is important to remove moist substances immediately.

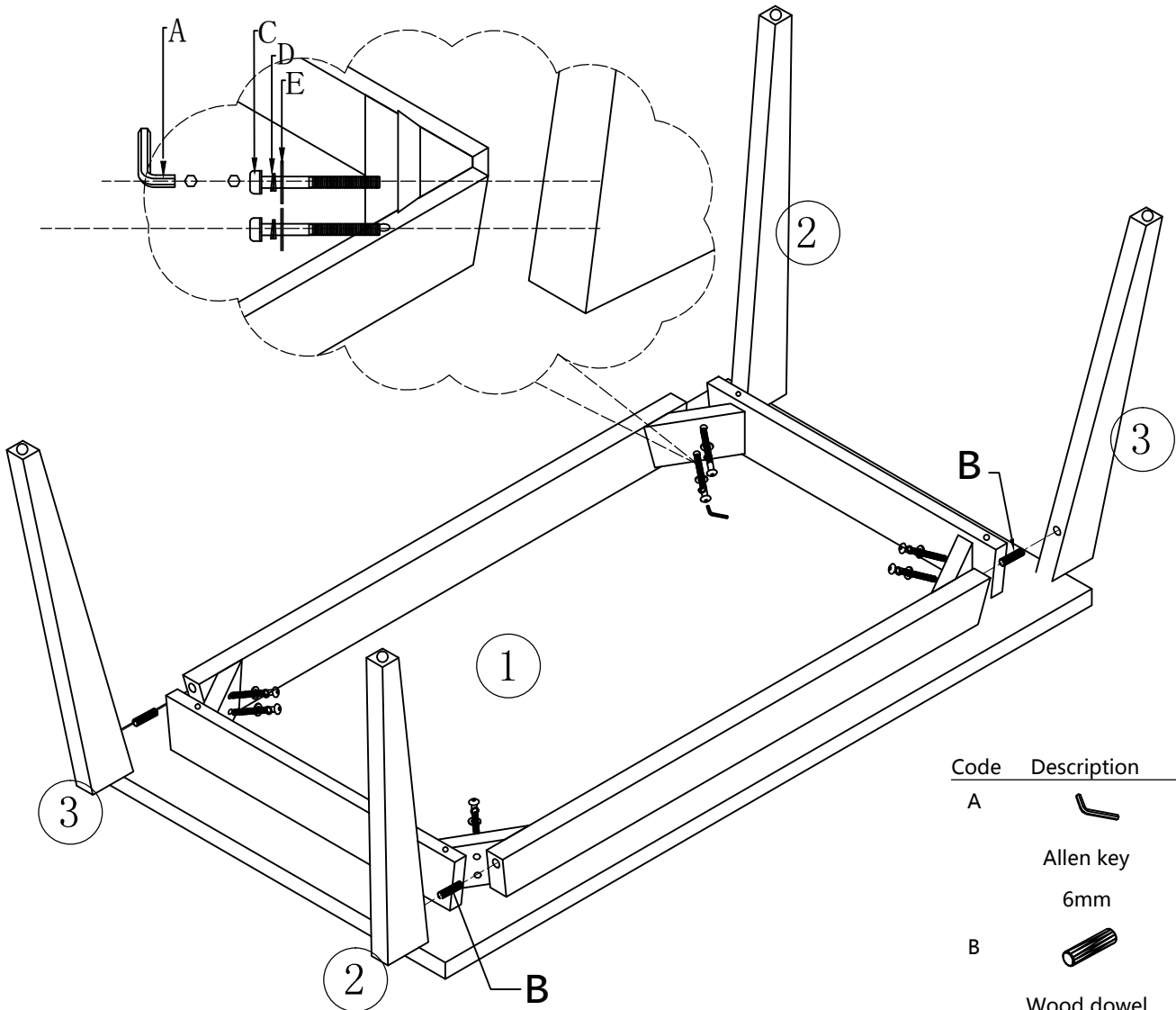
Hardware

<u>Code</u>	<u>Description</u>	<u>Qty</u>	<u>Code</u>	<u>Description</u>	<u>Qty</u>	<u>Code</u>	<u>Description</u>	<u>Qty</u>
A	 Allen key 6mm	1	B	 Wood dowel ø8*40	4	C	 Bolt ø8*60	8
D	 Spring washer M8	8	E	 Flat washer ø12*8	8	F	 Screw ø3.5*30	4

PARTS



STEP 1



Code	Description	Qty
A	1	1
	Allen key 6mm	
B	6	6
	Wood dowel ø8*40	
C	8	8
	Bolt ø8*60	
D	8	8
	Spring washer M8	
E	8	8
	Flat washer ø12*8	

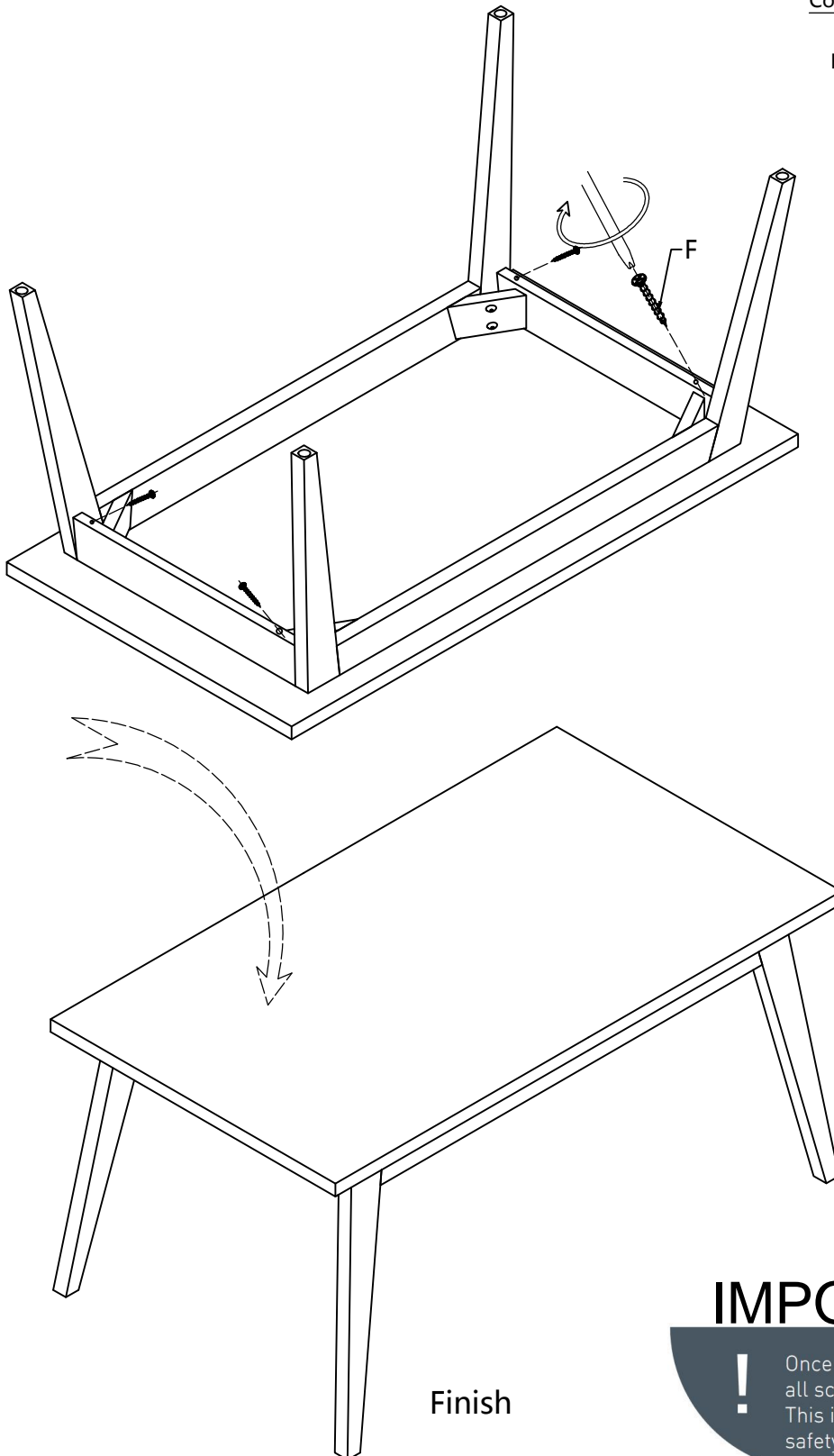
STEP 2

Once assembly has been completed, do not attempt to roll the table upright as this will damage the table, instead two persons should carefully lift, rotate in the air and then put table down in an upright position on all four legs.

Code	Description	Qty
------	-------------	-----

F		4
---	---	---

Screw
 $\phi 3.5 \times 30$



Finish

IMPORTANT!

! Once completed, ensure that all screws are firmly tightened. This is very important for the safety of your product.