

Amira Bedside Table

23463356

freedomTM

Thank you for purchasing the **Amira Bedside Table**. Before you begin to assemble your new piece of furniture, please check to ensure that all hardware and parts have been supplied. This page lists all contents included in the carton(s).

Follow instructions closely as deviation from them may present a possible safety risk and may void your warranty.

It is recommended that assembly is done on a soft surface such as carpet to avoid any damage.

If you experience any problems with your new purchase please phone Freedom Customer Service (FCS) on 1300 135 588. Customers outside Australia should contact their closest Freedom store.

Care Information

Do not place excessively hot or cold items in close proximity to the surface. Avoid dropping objects on the glass. Do not allow hard or pointed objects to come in contact with the surface. Please use wall xings when required- see assembly instructions for more detail.

The surface of this product is not scratch resistant, please take care when using. We recommend the use of coasters, placemats and table runners to assist in prolonging the life and protection of your product. A vinyl backing has been used on the underside of the glass to help prevent loose shards from coming away if shattering occurs.

CLEANING

Clean the mirror surface with mild, non-abrasive soaps or detergents.

Do not use any cleaning powders or abrasive creams; as these may damage the mirror surface.

Wipe surface using a lint free cloth regularly

Hardware (Supplied)

Ⓐ Allen key



1 PCS

Ⓑ Handle



1 PCS

Ⓒ Screw



1 PCS

Ⓓ Rubber Washer



1 PCS

Ⓔ Steel Washer



1 PCS

Ⓕ Bracket



4 PCS

Ⓖ Screw for Bracket



4 PCS

Ⓗ Plastic strap



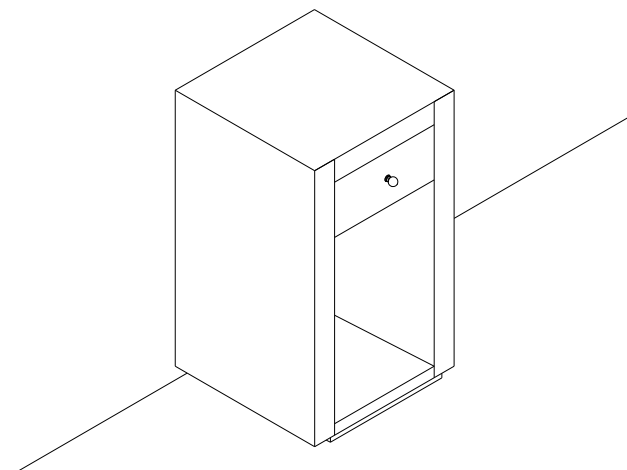
2 PCS

Ⓘ EVA Mat

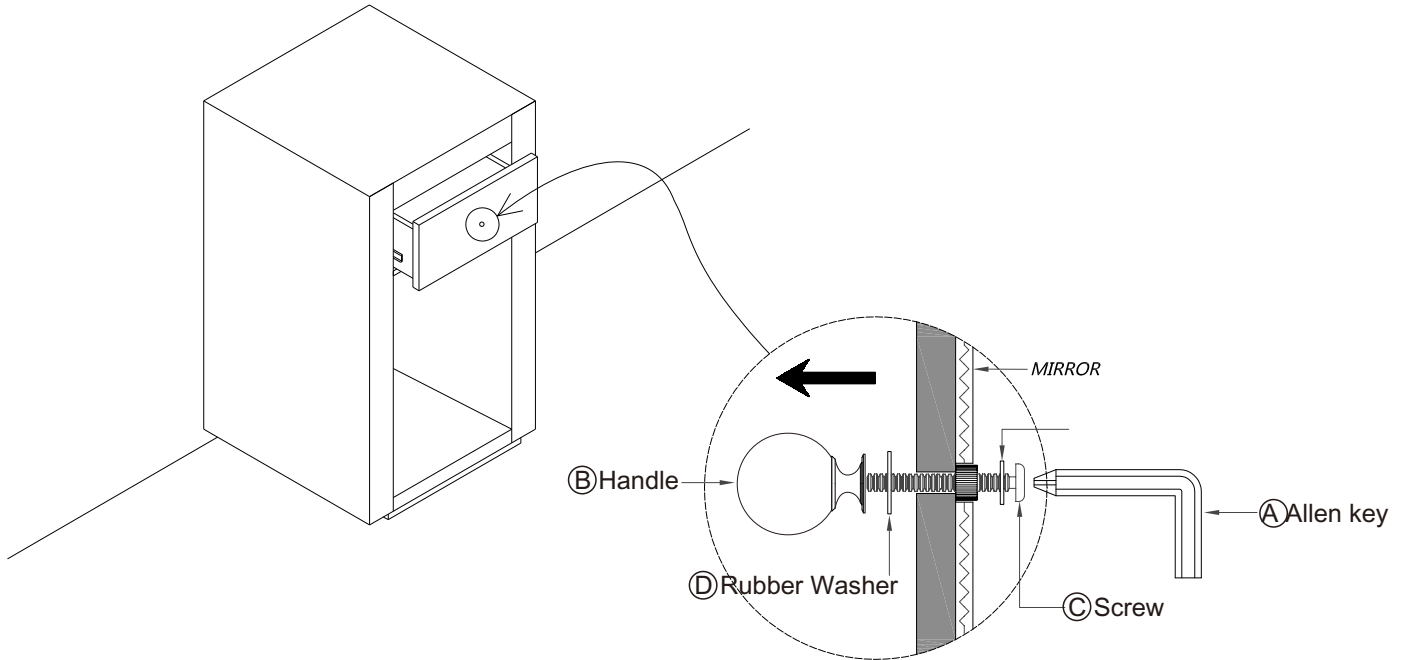


2 PCS

Product

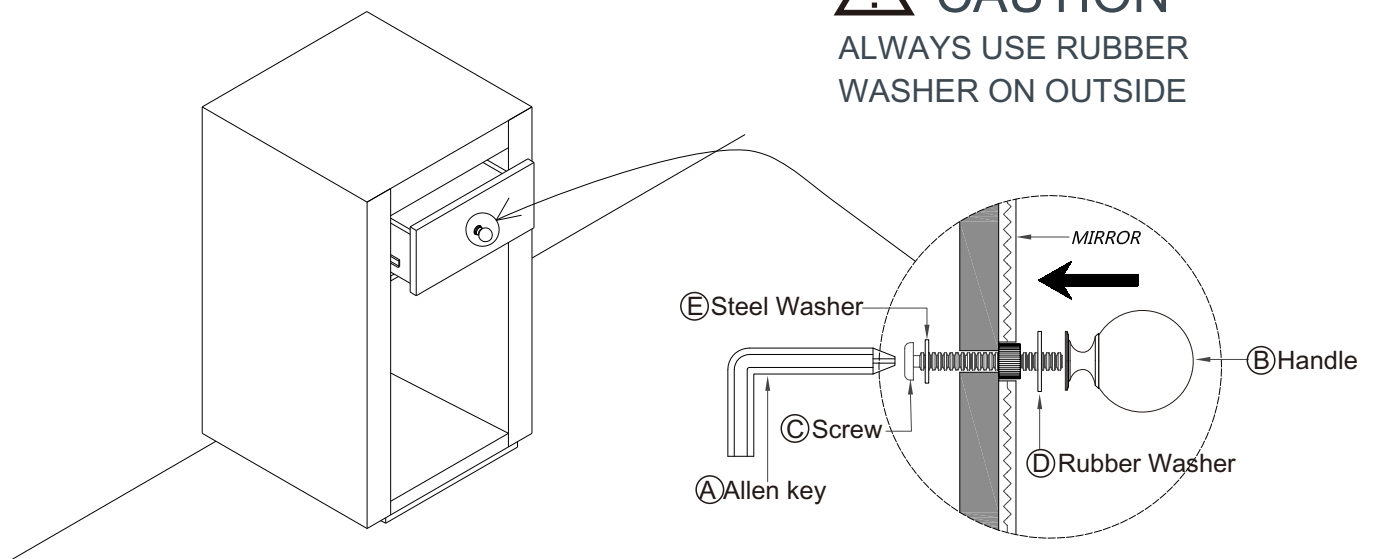


Step 1

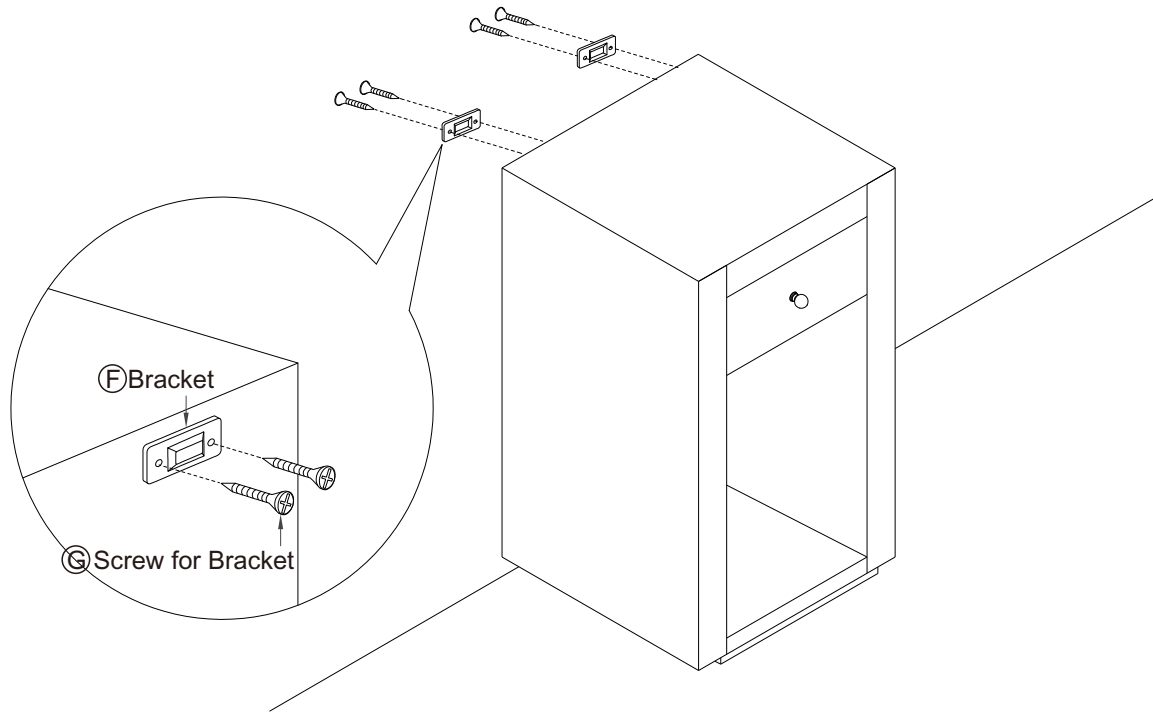


Step 2

⚠ CAUTION
ALWAYS USE RUBBER
WASHER ON OUTSIDE

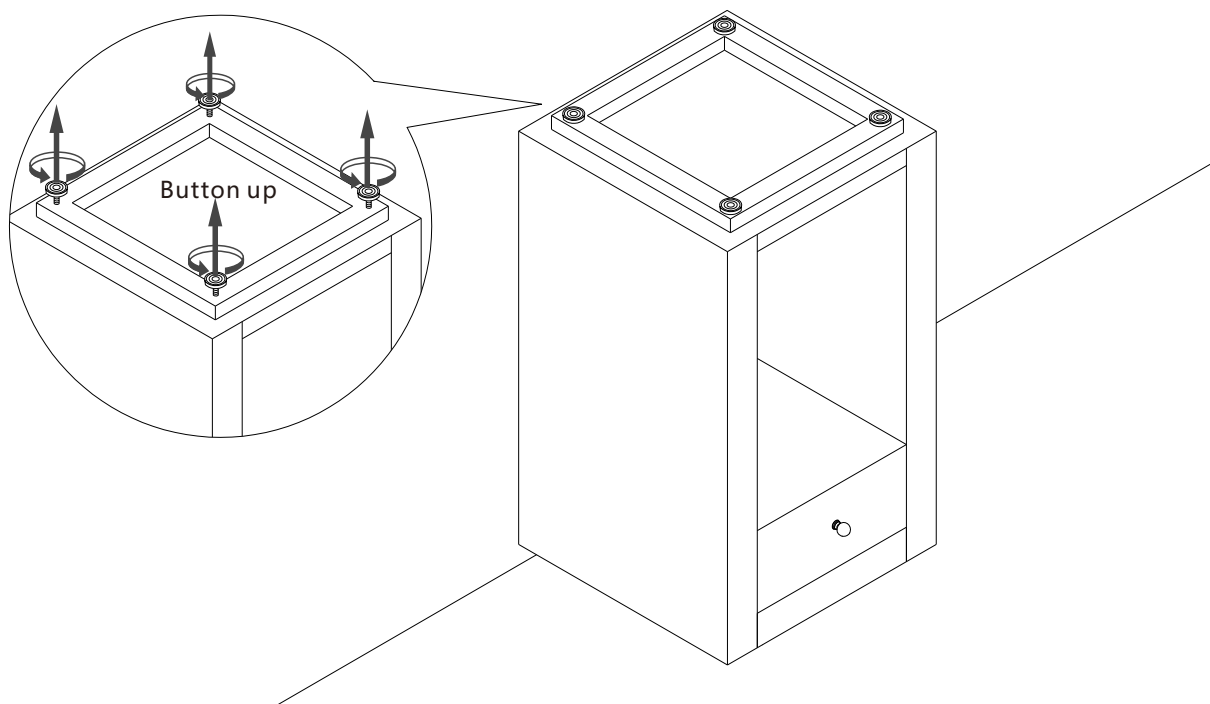


Step 3

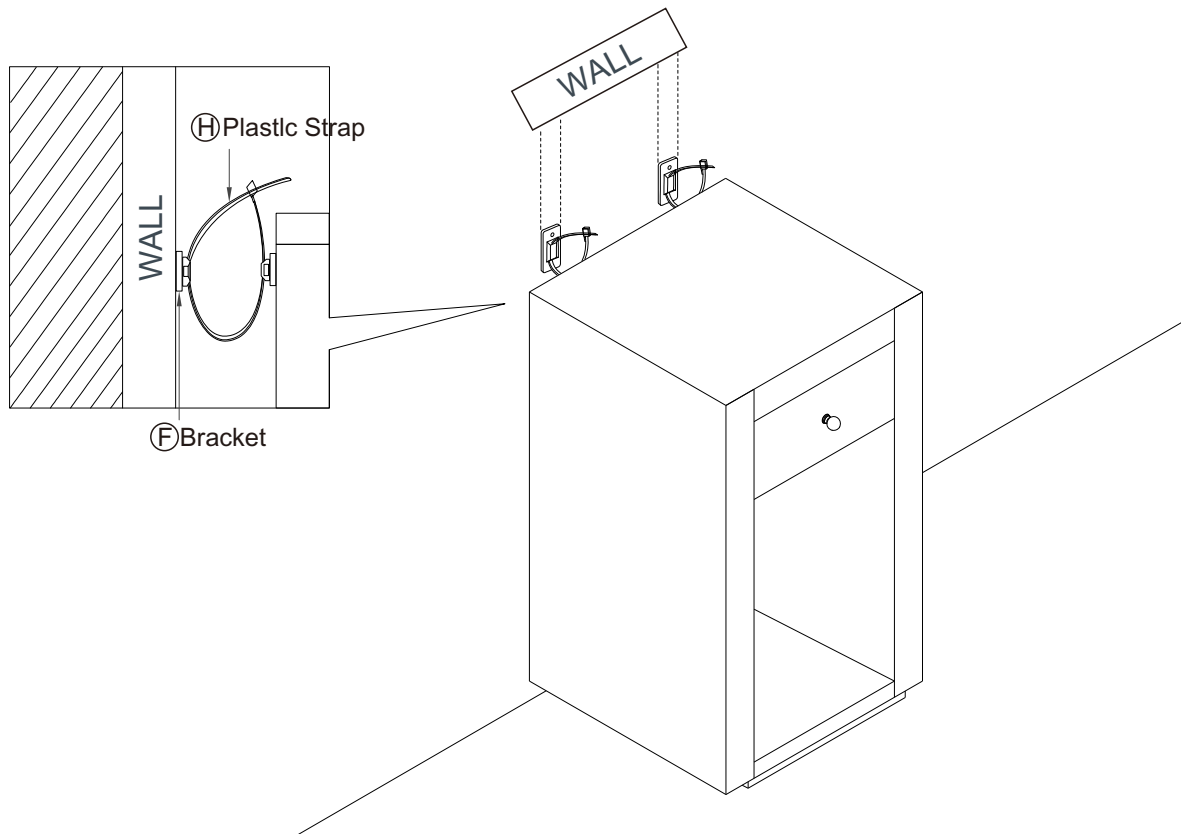


Step 4

LEVEL FURNITURE WITH ADJUSTABLE FEET



Step 5 ATTACH ANTI TILT STRAP TO WALL



⚠ CAUTION

IMPORTANT: To prevent your furniture from tilting forward it is recommended that you;

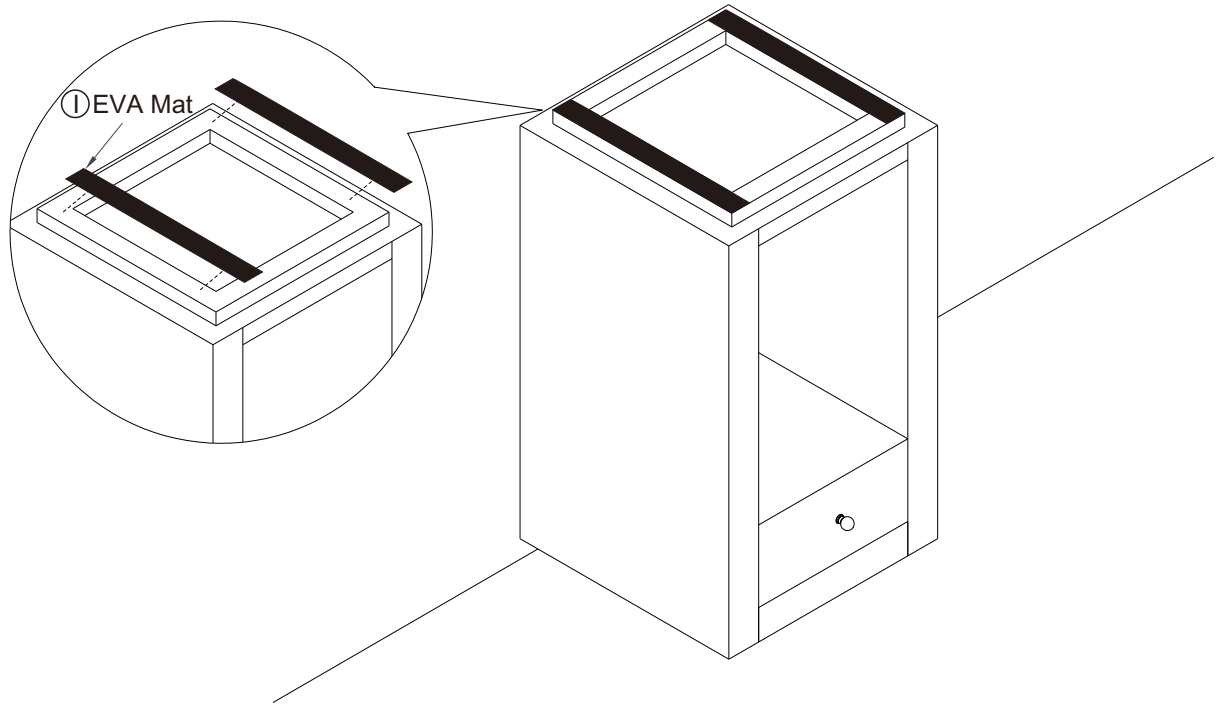
- 1) Avoid fully opening all drawers at the same time
- 2) Avoid Small children from climbing onto Drawers
- 3) Securely attach the anti tilt straps provided to your wall

CAUTION: For your safety when attaching the anti tilt straps;

- 1) Check for any electrical wires or plumbing inside the wall before drilling any holes (if you are unsure please seek professional advise)
- 2) Walls are constructed from different materials eg; Masonry (solid brick) or plaster board lined cavity walls (hollow). It is important that you use the appropriate wall fixings for your wall type. (your local hardware store will have the necessary drills and fixings and can offer advise if needed)

Step 6

ALTERNATIVELY REMOVE FEET AND USE EVA MAT STICK ON PADS AS SHOWN



Step 7 Assembled

