

BRANDON

23437432, 23437449, 23437456

freedom

Thank you for purchasing the **BRANDON Dining chair**. Before you begin to assemble your new piece of furniture, please check to ensure that all hardware and parts have been supplied. This page lists all contents included in the carton(s).

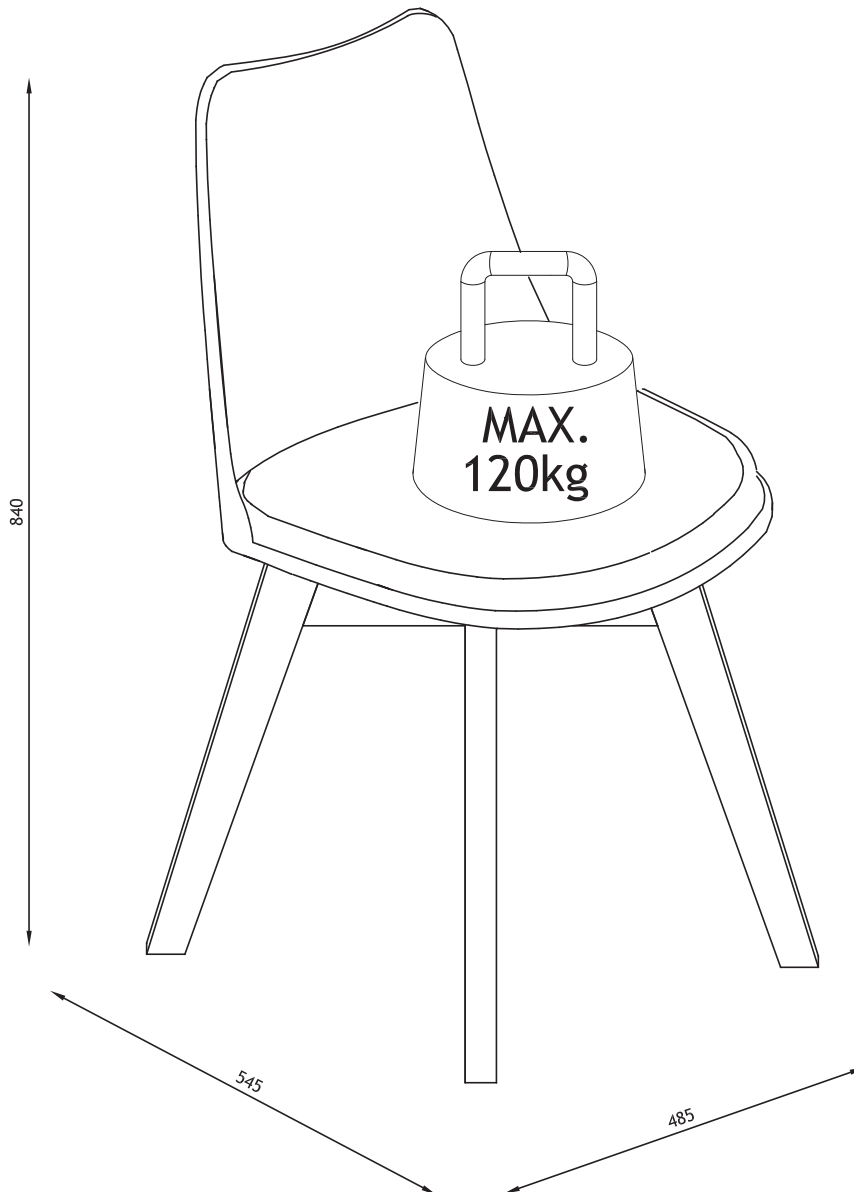
Follow instructions closely as deviation from them may present a possible safety risk and may void your warranty.

It is recommended that assembly is done on a soft surface such as carpet to avoid any damage.

If you experience any problems with your new purchase please phone Freedom Customer Service (FCS) on 1300 135 588. Customers outside Australia should contact their closest Freedom store.

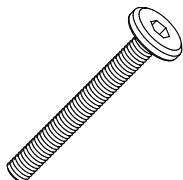

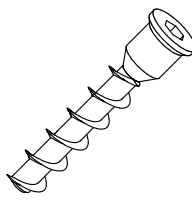
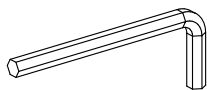
Care Information

Periodically check and re-tighten any fasteners. Dust weekly using a soft, clean cloth. Do not use harsh abrasives, chemicals or polishes containing silicone. Avoid direct sunlight as this will cause the timber to change colour. It is important to remove moist substances immediately.



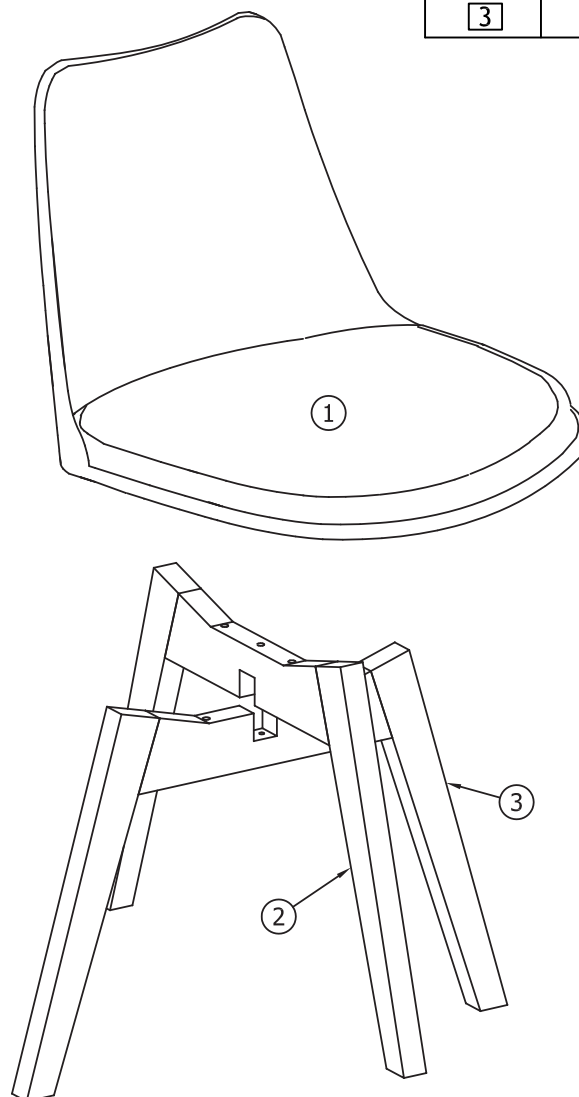
22139 - 045 Rev1

Hardware (Supplied)

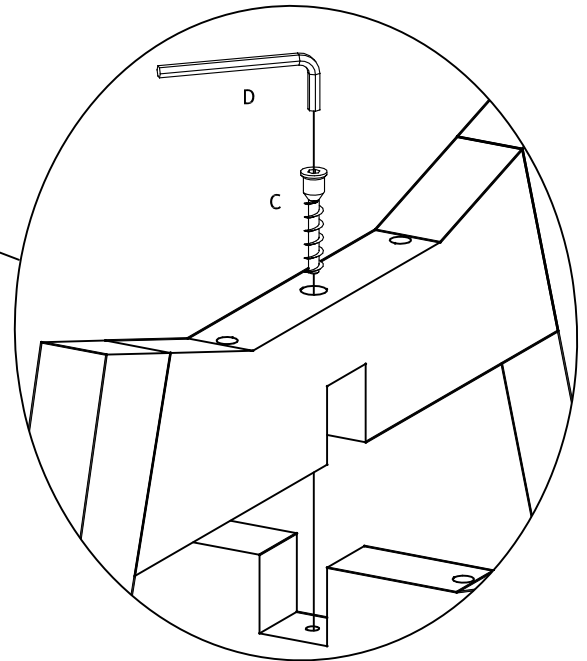
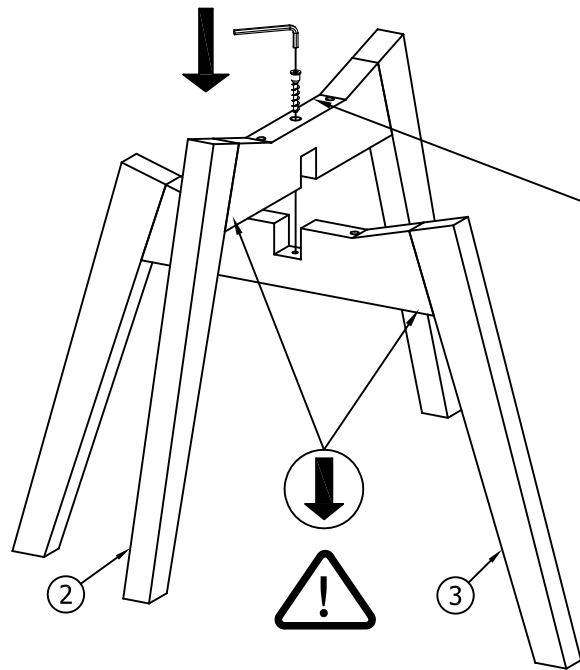
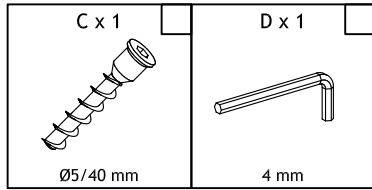
A x 4	B x 4	C x 1	D x 1
			
M6x50 mm	M6/Ø14 mm	Ø5/40 mm	4 mm

Parts

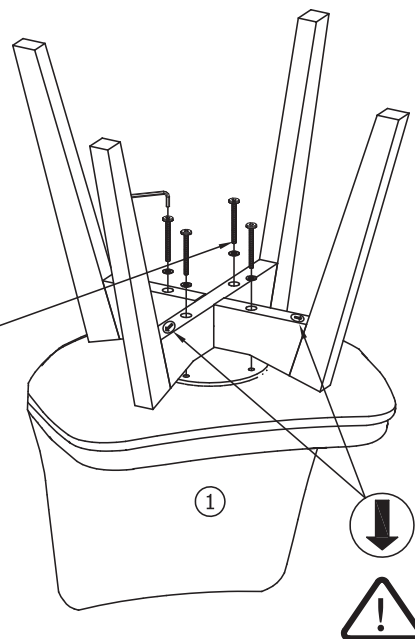
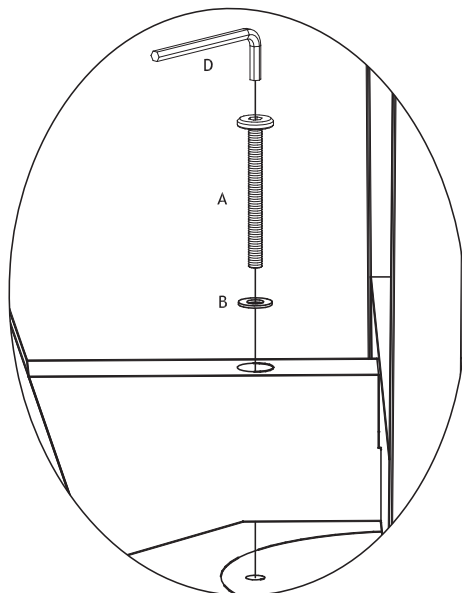
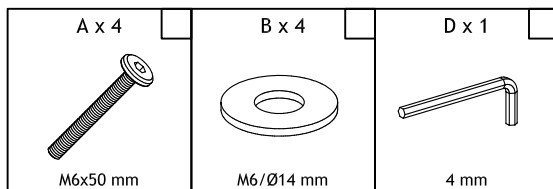
			✓
1	1	480x530x535	
2	1	605x410x28	
3	1	605x410x28	



Step 1



Step 2



BRANDON

23437432, 23437449, 23437456

freedom 

UK:

Please note!

During transport and handling, pressure marks may appear in the foam inside the chair seat or the chair back. Such pressure marks will re-shape over a reasonable period of time and are not accepted as justified complaints. If you wish to speed up this process, we recommend that you perform following exercise:

- Point out the area containing the light pressure marks
- Heat up gently using a hair dryer, stop 10 cm from the selected area
- Gently rub the pressure marks, while heating.
- Repeat 2-3 times.

UK:

PLEASE NOTE!

This product has been supplied with a standard foot cap or in some cases without foot cap. For soft or specially fragile and exclusive floors, we recommend to use a suitable foot cap, in order to avoid pressure marks and/or scratches in the floor. Please contact your furniture supplier for further information!