

Thank you for purchasing the **Ghost Coffee Table**. Before you begin to assemble your new piece of furniture, please check to ensure that all hardware and parts have been supplied. This page lists all contents included in the carton(s).

Follow instructions closely as deviation from them may present a possible safety risk and may void your warranty.

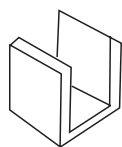
It is recommended that assembly is done on a soft surface such as carpet to avoid any damage.

If you experience any problems with your new purchase please phone Freedom Customer Service (FCS) on 1300 135 588. Customers outside Australia should contact their closest Freedom store.

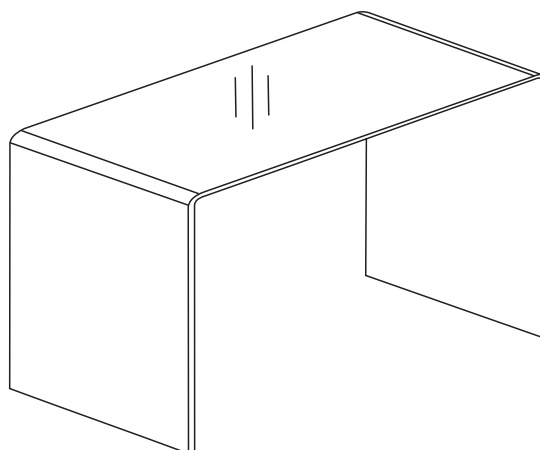
Care Information

The glass used in this product is known as tempered glass. Although it is up to four times tougher than regular glass, it is not unbreakable. Tempered glass should be cared for like normal glass. Clean Glass using a recognised glass cleaning product, avoid any overspray. Careless handling or use sometimes produces damage which may not be visible to the eye. Damaged glass may spontaneously shatter if subjected to thermal or mechanical stress. Avoid dropping objects on the glass. Do not allow hard or pointed objects to come into contact. Use coasters, placemats and table runners to assist in prolonging the life of your product.

Parts

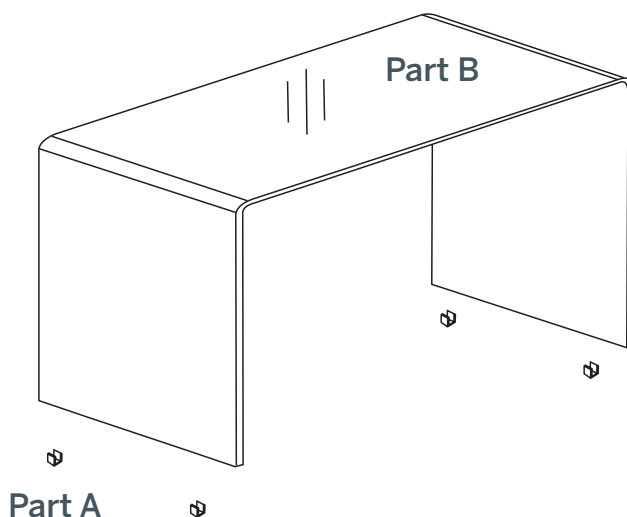


Part A x 4



Part B x 1

Step 1.

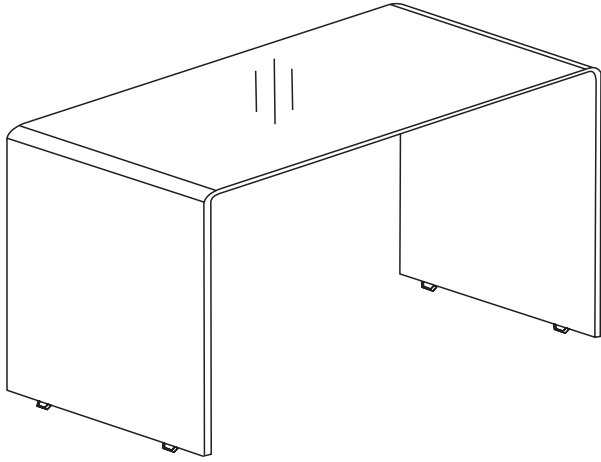


Ghost Coffee Table

23286054

freedom™

Finished.



Do not lift table by the legs, take care when orientating table onto its feet.