

Assembly Instructions

Cancun King Bed

- Before you begin to assembly your new piece of furniture, please check to ensure that all parts have been supplied.
- Follow instructions closely as deviation from them may void your warranty and present a possible safety risk.
- It is recommended that assembly is done on a soft surface like carpet to avoid any damage.
- If you experience any problems with your new purchase please phone our Customer Service Hotline 1800 807 416 (Customers outside Australia should contact their closest Freedom store.)

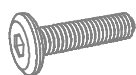
Care information

- General: Avoid direct sunlight. Wipe down all surfaces using a damp cloth weekly. Do not use harsh abrasives or chemicals. Always use mats to protect the surface from hot or cold items. Wipe up spills immediately. Periodically check and retighten any fasteners.
- Timber: Freedom offers a range of quality care products that can enhance the durability of the timber finish. A combination of Liberon Superior Danish Finishing Oil and a Liberon Polish will increase resistance to staining and marking. Please note that applying these care products will slightly alter to look and feel of the timber. Please visit your Freedom store for more information.

Hardware



A x 8



B x 12



C x 12



D x 12

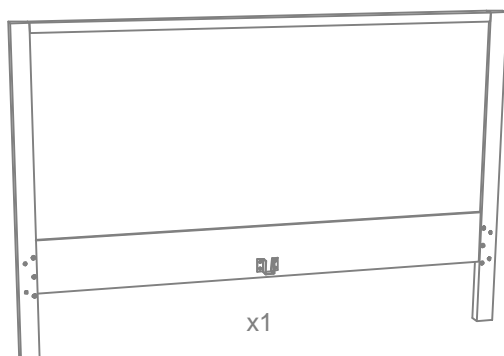


E x 10

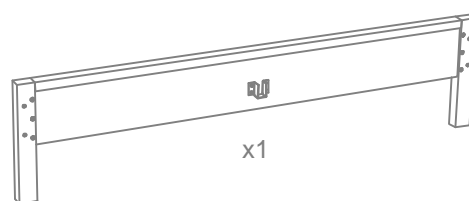


Z x 1

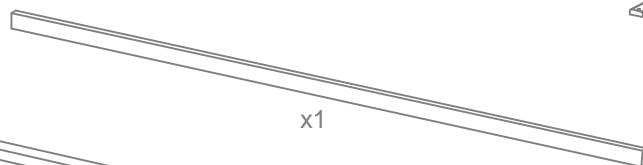
Parts



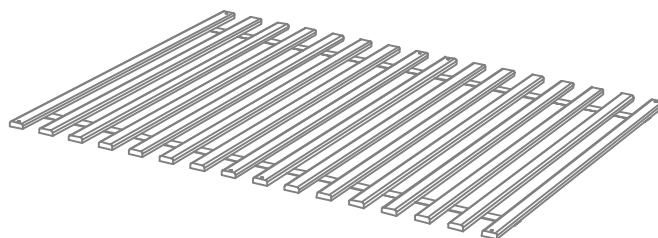
x1



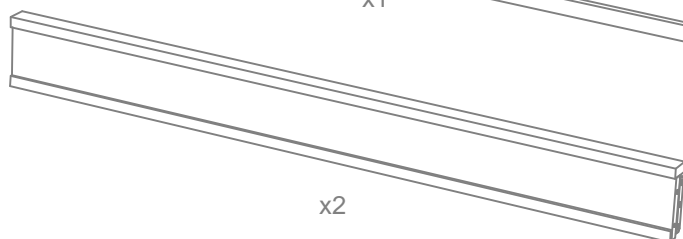
x1



x1



x1



x2



x1

Assembly Instructions

Cancun King Bed

