

Assembly Instructions

Alto Coffee Table Rectangular Top Glass

- Before you begin to assemble your new piece of furniture, please check to ensure that all parts have been supplied.
- Follow instructions closely as deviation from them may void your warranty and present a possible safety risk.
- It is recommended that assembly is done on a soft surface like carpet to avoid any damage.
- If you experience any problems with your new purchase please phone our Customer service Hotline 1800 807 416 (Customers outside Australia should contact their closest Freedom store.)

Care Information

Periodically check and re-tighten fasteners. Wipe down all surfaces using a clean cloth Weekly.

Tempered Glass

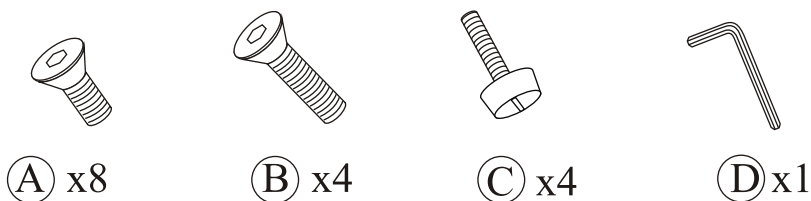
The glass used in this product is known as tempered glass. Although it is up to four times tougher than regular glass, it is not unbreakable. Tempered glass should be cared for like normal glass. Careless handling or use sometimes produces damage which may not be visible to the eye. Damaged glass may spontaneously shatter if subjected to thermal or mechanical stress.

Avoid dropping objects on the glass. Do not allow hard or pointed objects to come into contact with the glass.

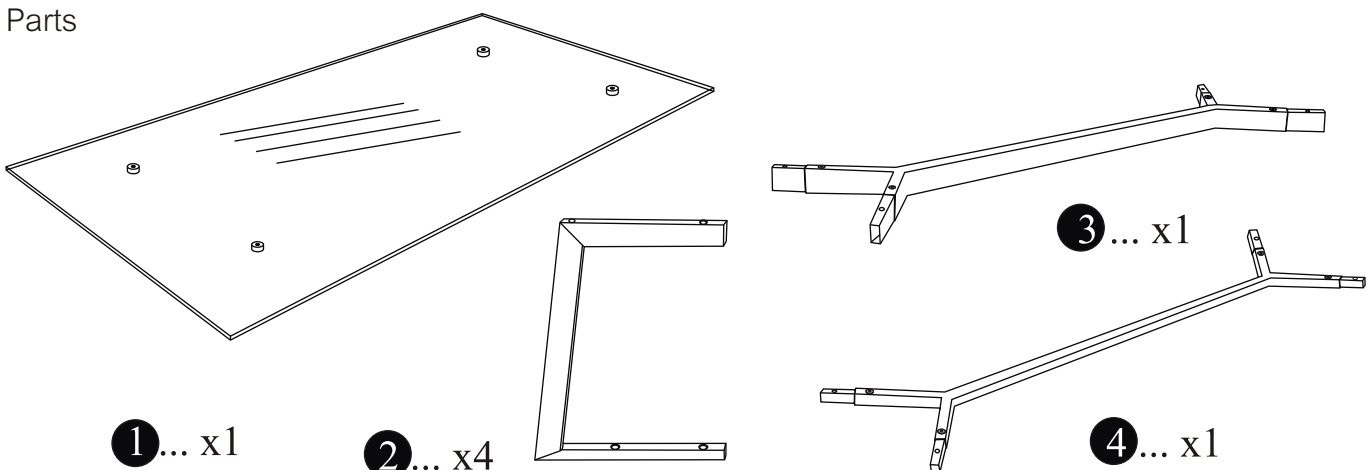
Never use the table as a chopping surface. Do not sit or stand on the table. At least 2 people should lift the table.

Never drag the table along the floor even for a short distance. Avoid placing hot or cold items directly on the table unless using thick place mats and coasters. Do not clean glass with substances containing abrasives as these can scratch the glass.

Hardware



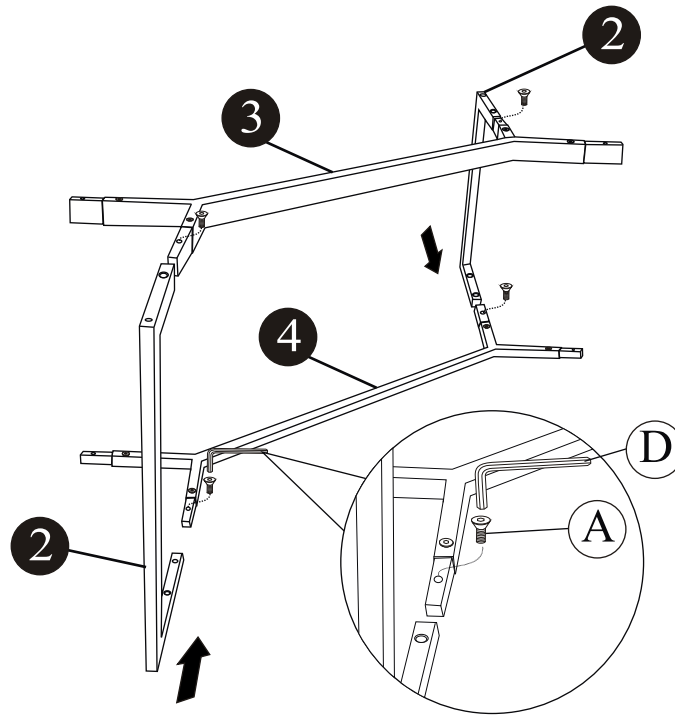
Parts



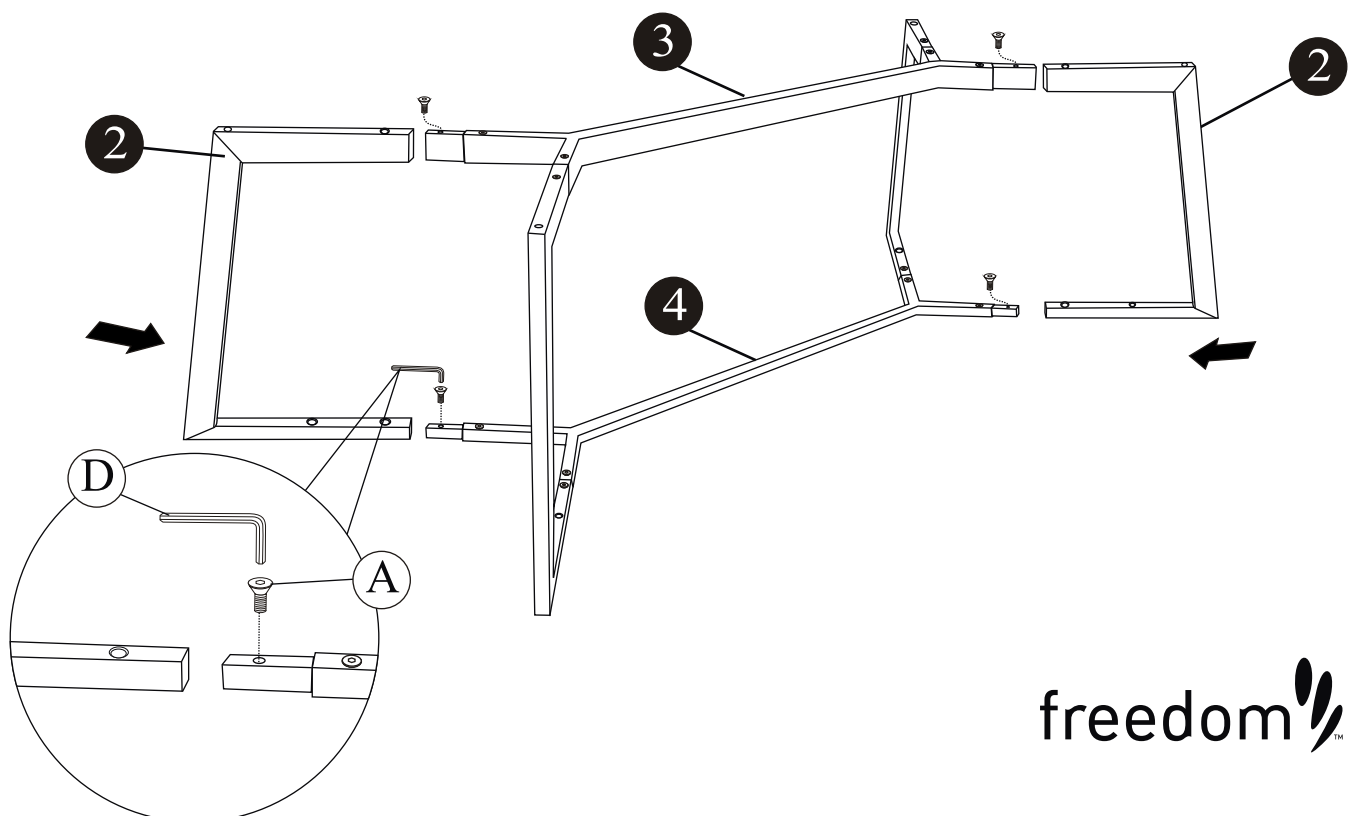
Assembly Instructions

Alto Coffee Table Rectangular Top Glass

Step one



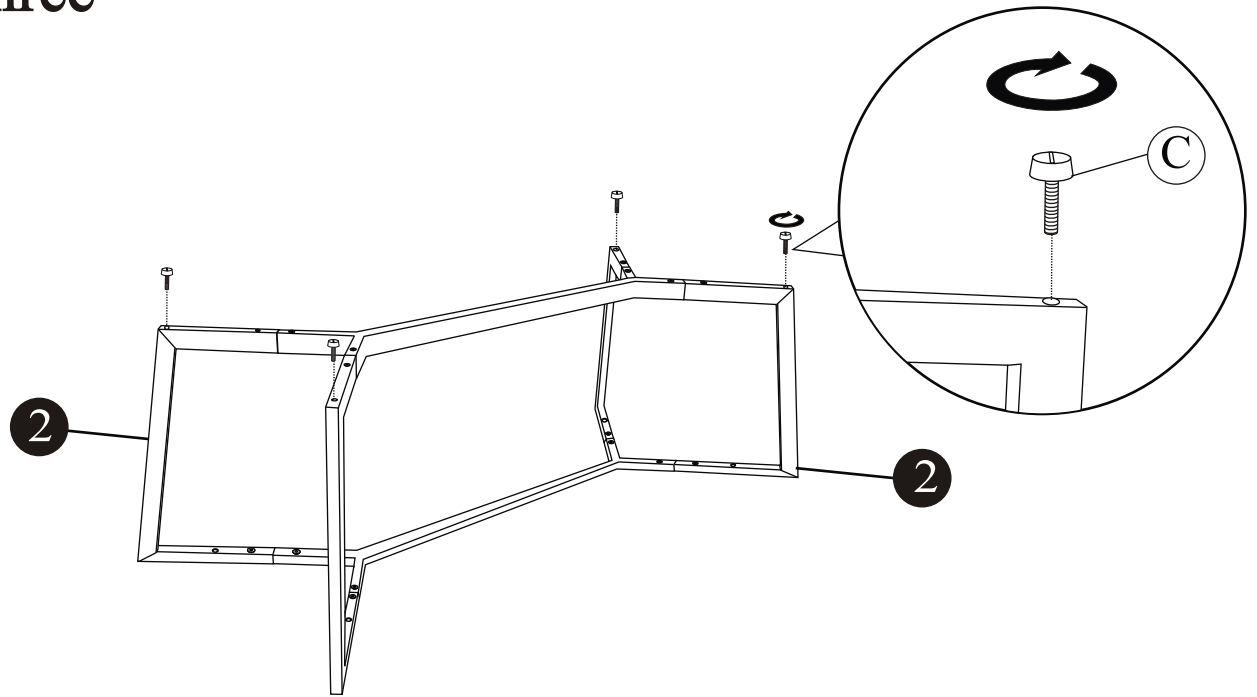
Step two



Assembly Instructions

Alto Coffee Table Rectangular Top Glass

Step three



Step four

